

Tesla AutoPucks

Lifting Pucks

SKU# 5216357
Tesla Jack Pad Pucks

VERSATILE, DURABLE, AND RELIABLE

Tesla-Specific AutoPuck™ – Tailored for Secure, Safe EV Lifting. The Tesla-Specific AutoPuck is specially engineered to meet the lifting requirements of Tesla vehicles, delivering a secure, precision fit for electric vehicle maintenance. Equipped with a locking stem and silicone O-ring, this model stays firmly in place under Tesla's factory jack points, adding an extra layer of stability and confidence to every lift when using jacks, stands, or two-post lifts. Each set is neatly stored in a sleek, compact case, keeping your tools organized and readily accessible in your workspace.



HIGH-STRENGTH

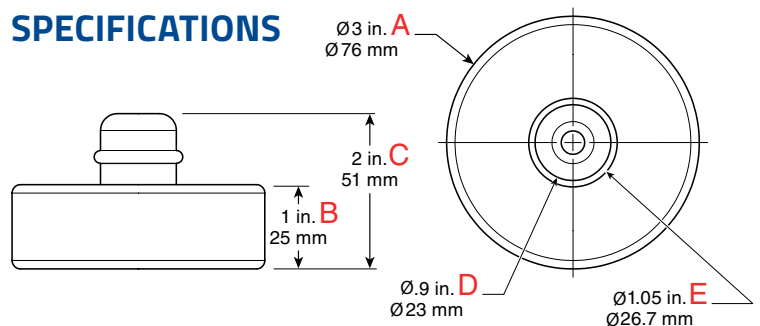
Crafted from Hard Rubber 95A Shore, this AutoPuck model offers exceptional durability and impact resistance. The high-strength rubber withstands compression and heavy lifting demands, maintaining its shape and stability through repeated use. For Tesla owners and technicians, AutoPucks provide the perfect combination of strength, safety, and long-lasting reliability. Fits Model S, 3, X, & Y.

FEATURES

- Enhanced durability
- Designed for Tesla models S/3/X/Y
- Hard Rubber 95A Shore design won't harm the vehicle's metal but is strong enough to support it.
- Fits most jacks
- Comes in a compact carrying case



SPECIFICATIONS



| | | |
|----------|------------------|--------------------|
| A | Puck Diameter | 3 in. / 76 mm |
| B | Puck Height | 1 in. / 25 mm |
| C | Overall Height | 2 in. / 51 mm |
| D | Fitment Diameter | .9 in. / 23 mm |
| E | O-Ring Diameter | 1.05 in. / 26.7 mm |

Specifications subject to change without notice.

1-800-253-2363 • sales@bendpak.com
30440 Agoura Road Agoura Hills, CA 91301 USA



AUTOPUCKS™
By BendPak