

BendPak Technical Service Bulletin PL-6000DC/DCX Two-Post Parking Lifts

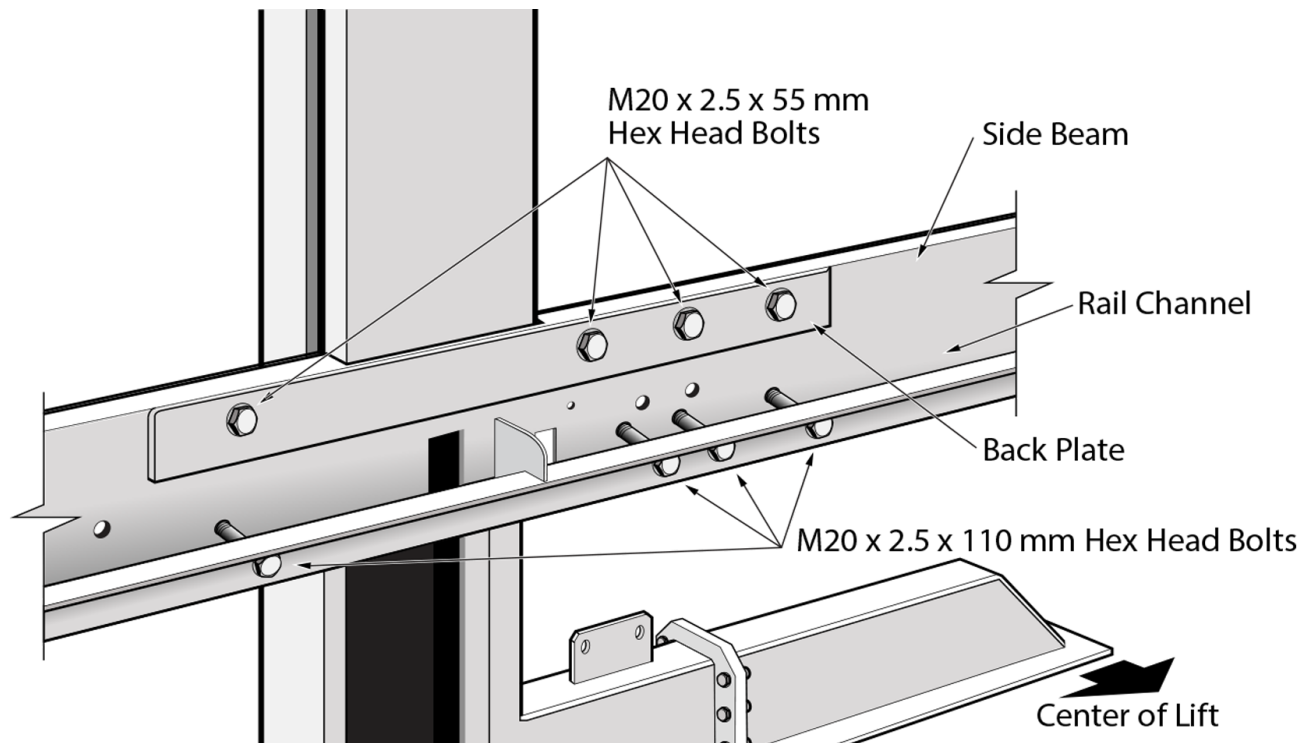
BendPak TSB 154 -122024

This Technical Service Bulletin is intended to provide greater clarity on the installation of the BendPak PL-6000DC/DCX Two-Post Parking Lifts. This document describes additions and changes to the current Installation and Operation Manual, 5900273, Revision A6.

Attaching the Side Beams, Back Plate, and Connection Rods

The following is an update to the instructions and illustrations on page 28 of the manual, Revision A6, clarifying the location and installation of the Bolts that secure the Side Beams in place.

- There are (4) M20 x 2.5 x 55 mm Hex Head Bolts that are assembled along the upper inside surface of the Side Beams as shown below, inserted from the inside of the lift, facing outward.
- The (4) longer M20 x 2.5 x 110 mm Hex Head Bolts are also assembled from the inside, facing outward. These longer Bolts cross the Rail Channel as shown below.



Drawing not to scale. Not all components shown.

During assembly, verify that the Hex Bolt heads are on the **inside** of the Side Beam, toward the center of the lift, and the Nuts, Lock Washers and Washers are on the **outside** of the Side Beam, facing out from the Lift. Refer to the figure below.

Each Side:

Description	Qty.	P/N
Hex Head Bolt: M20 x 2.5 x 55mm	4	5174104
Washer: M20 SL	4	5545022
Washer: M20 x OD-37mm Flat	4	5545343
Nut: M20 x 2.5	4	5535303

Back Plate

Attach Side Beams

Do not install!
Installed **after** Platform Plates
and Front Ramp are installed

Center of Lift

Each Side:

Description	Qty.	P/N
Hex Head Bolt: M20 x 2.5 x 110mm FT / CL 10.9	4	5530474
Washer: M20 SL	4	5545022
Washer: M20 x OD-37mm Flat	4	5545343
Nut: M20 x 2.5	4	5535303

Drawing not to scale. Not all components shown.

If you experience difficulties with your PL-6000DC/DCX Two-post Parking Lift, technical support and service is available from your dealer, on the Web at bendpak.com/support, by email at support@bendpak.com, or by phone at **(800) 253-2363**, follow the prompts to reach service. Online chat is also available at www.bendpak.com

BendPak®

30440 Agoura Road
Agoura Hills, CA 91301 USA
bendpak.com