

## MOBI-EVS™ Lifting System Safety Guards

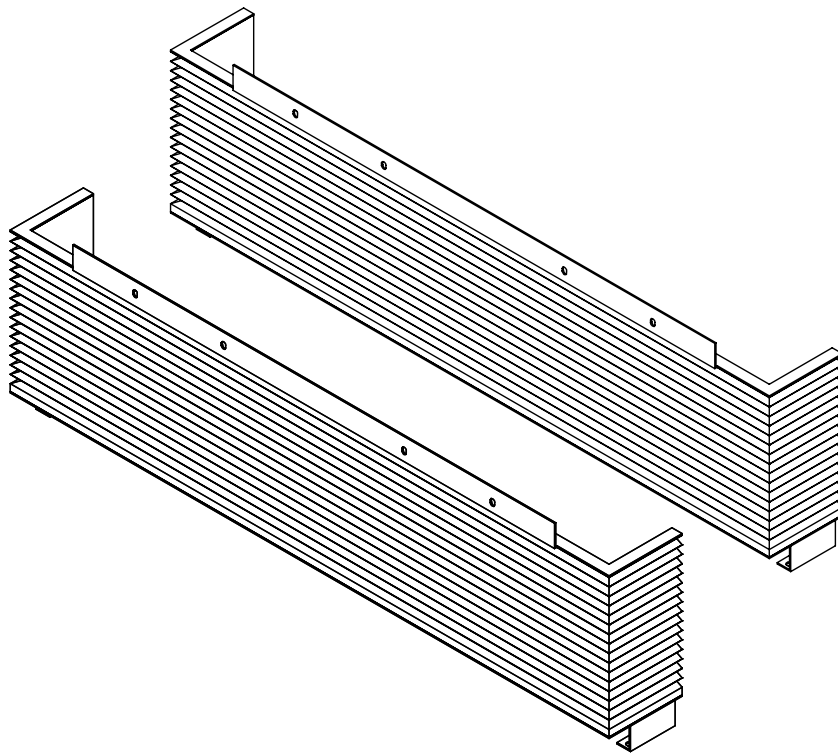
### Installation Guide

Manual 5900403 — Revision A — June 2024

Use with MOBI-EVS

Models:

- EVS4500
- EVS3000



Designed and engineered by BendPak Inc. in Southern California, USA. Made in China.

## **DANGER**

**IMPORTANT Safety Instructions, save these instructions! Read the *entire contents* of this manual *before* using this product. Failure to follow the instructions and safety precautions in this manual can result in severe injury or death. Make sure all other operators also read this manual. Keep the manual near the product for future reference. *By proceeding with setup and operation, you agree that you fully understand the contents of this manual and assume full responsibility for product use.***

**Installation Guide.** MOBI-EVS™ Lifting System Safety Guard Installation Guide, Guide Number 5900403, Revision A, released June 2024.

**Copyright.** Copyright © 2024 by BendPak Inc. All rights reserved. You may make copies of this document if you agree that: you will give full attribution to BendPak Inc., you will not make changes to the content, you do not gain any rights to this content, and you will not use the copies for commercial purposes.

**Trademarks.** BendPak and the BendPak logo are registered trademarks of BendPak Inc. All other company, product, and service names are used for identification only. All trademarks and registered trademarks mentioned in this manual are the property of their respective owners. You can always find the latest version of the **guide for your product at the BendPak website.**

**Limitations.** Every effort has been made to ensure complete and accurate instructions are included in this guide. However, product updates, revisions, and/or changes may have occurred since this manual was published. BendPak reserves the right to change any information in this guide without incurring any obligation for equipment previously or subsequently sold. BendPak is not responsible for typographical errors in this guide.

**Warranty.** The BendPak warranty is more than a commitment to you: it is also a commitment to the value of your new product. Contact your nearest BendPak dealer for full warranty details.

**Safety.** Your product was designed and manufactured with safety in mind. However, your safety also depends on proper training and thoughtful operation. Do not install, operate, maintain, or repair the Safety Guards without reading and understanding this guide and the labels on the Lift; **do not use your Lift unless you can do so safely!**

**Owner Responsibility.** To ensure operator safety and maintain your product properly, it is the responsibility of the product owner to read and follow these instructions:

- Follow all setup, operation, and maintenance instructions.
- Make sure product setup and use conforms to all applicable local, state, and federal codes, rules, and regulations, such as state and federal OSHA regulations and electrical codes.
- Read and follow all safety instructions. Keep them readily available for operators.
- Make sure all operators are properly trained, know how to safely operate the unit, and are properly supervised.
- Do not operate the product until you are certain all components are in place and operating correctly.
- Carefully inspect the product on a regular basis and perform all maintenance as specified.
- Service and maintain the unit only with approved replacement parts.
- Keep all instructions permanently with the product and verify all labels are clean and visible.
- BendPak makes no promises, guarantees or assurances that our products meet any state, county, federal or international mandated permit, license, code, standard, certification, or any other mandate other than what is listed or shown on BendPak website(s), or any BendPak or Ranger online or published catalog. Not all BendPak Lift models meet the standards as prescribed by ANSI/ALI ALCTV-(current edition) or ANSI/UL 201. Consult <https://www.autolift.org/> for a complete list of Lift models that meet ANSI/ALI ALCTV or ANSI/UL 201 or contact BendPak via [contact@bendpak.com](mailto:contact@bendpak.com). Buyer assumes full responsibility for any state, county, federal or international mandated permit, license, code, standard, certification, or any other mandate required related to the installation and/or operation of any BendPak or Ranger product. BENDPAK will not be responsible for any charges, fines, liens, or other levies imposed on the Buyer related to any special or regional structural, seismic or any other building code and/or codes such as the Uniform Building Code (UBC), International Building Code (IBC), or any other state, county, federal or international mandated permit, license, code, standard, certification, or other mandate, law, rule, regulation or directive by any other agency, government, administrations, or corporations whether state, county, federal, or international mandated.
- **Only use the MOBI-EVS Lift and these Safety Guards if they can be used safely!**

---

# Introduction


This guide describes the Installation of the MOBI-EVS Lifting System Safety Guard:

**This Guide is mandatory reading for all technicians installing or maintaining** the MOBI-EVS™ EV Lifting System and/or its Safety Guard.

Technical support and service is available from your dealer, on the Web at [bendpak.com/support](https://www.bendpak.com/support), by email at [support@bendpak.com](mailto:support@bendpak.com), or by phone at **(800) 253-2363**, option 7, then 4. Online chat is also available at <https://www.bendpak.com/> click the chat icon. 

## Safety Considerations


**Read this entire guide and the *Mobi-EVS Manual* carefully before installing or using this product.** Do not install or operate the Safety Guard until you are familiar with all operating instructions and warnings.


 **WARNING** **California Proposition 65 Warning.** This product can expose you to chemicals including styrene and vinyl chloride which are on the list of over 900 chemicals identified by the State of California to cause cancer, birth defects or reproductive harm. **ALWAYS** use this product in accordance with BendPak's instructions. For more information go to [www.P65Warnings.ca.gov](http://www.P65Warnings.ca.gov).

### Symbols

Following are the symbols used in this Guide:

 **DANGER** Calls attention to an immediate hazard that **will** result in death or severe injury.

 **WARNING** Calls attention to a hazard or unsafe practice that **could** result in death or severe personal injury.

 **CAUTION** Calls attention to a hazard or unsafe practice that could result in minor personal injury, product damage, or property damage.

**NOTICE** Calls attention to a situation that, if not avoided, could result in product or property damage.

 **Tip** Calls attention to information that can help you use your product better.

### Liability Information

BendPak Inc. assumes **no** liability for damages resulting from:

- Use of the equipment for purposes other than those described in this Guide.
- Modifications to the equipment without prior, written permission from BendPak.
- Injury or death caused by modifying, disabling, overriding, or removing safety features.
- Damage to the equipment from external influences.
- Incorrect operation of the equipment.

---

## **IMPORTANT SAFETY INSTRUCTIONS, SAVE THESE INSTRUCTIONS!**

1. Read all instructions before beginning the installation.
2. The MOBI-EVS™ Lift is a Battery Powered Full-Rise Scissor Lift designed for servicing Electric Vehicle Battery Packs and Powertrains. **Use it only for its intended purpose.** Improper use of this Lift and/or these Safety Guards could cause severe injury or death.
3. Do not install this Safety Guard while a load is on the Lift.
4. The product should be installed, and the Lift operated by authorized and properly trained personnel only. Training includes reading and understanding the safety, operation, and maintenance sections of this MOBI-EVS Manual and warning labels on the Lift.
5. You **must** always wear OSHA-approved (Publication 3151) Personal Protective Equipment when installing, using, maintaining, or repairing the Lift. Leather gloves, steel-toed work boots, ANSI-approved back belts, and hearing protection **are mandatory.**
6. **Always wear safety glasses!** Everyday glasses only have impact resistant lenses, they are not safety glasses.
7. Crushing hazard and pinch points. Do not place any part of your body between the top deck and any moving part of the Lift unless visual confirmation is made that the safety lock is fully engaged, and that the Lift's downward motion is blocked by a Jack Stand, Forklift or other Load-Holding device that will prevent the Lift's downward movement.
8. **Always** verify the Lift is resting firmly on level flooring. Its adjustable Floor Locks should be engaged and all Casters firmly on the flooring prior to raising or lowering the Lift Deck.
9. Do not operate equipment with a damaged cord or if the equipment has been dropped or damaged – until qualified service personnel have examined it.
10. To reduce the risk of fire, do not operate in the vicinity of open containers of flammable liquids (gasoline or similar).
11. Keep hair, loose clothing, fingers, and all parts of body away from moving parts. Crushing hazard!
12. To reduce the risk of electric shock, do not use on wet surfaces or expose to rain.
13. To reduce the risk of injury, close supervision is necessary when this product is used around children.
14. The Lift uses electrical energy; if your organization has Lockout/Tagout policies, make sure to implement them after connecting the Lift to a power source.
15. The MOBI-EVS Lift should **only** be operated by authorized personnel. Keep children and untrained personnel away from the Lift.
16. Do not make any modifications to the Lift; this voids the warranty and increases the chance of injury or property damage.
17. Do not install this Safety Guard or use the Lift while fatigued or under the influence of drugs, alcohol, or medication.
18. Consider the work environment. Keep the work area clean. Cluttered work areas invite injuries. Keep areas well lit.
19. **Verify** the Lift is secured on its safety locks before attempting to install the Safety Guard.
20. Read and understand the manual sections on operating and working with the MOBI-EVS™ safely.




**Save these instructions!**

---

# Installation

This Guide describes steps required to install the MOBI-EVS Lifting System Safety Guard. Only competent, fully trained personnel should be involved in the set-up and operation of this equipment. **Always pay attention.** Use appropriate tools and equipment. Stay clear of moving parts and live electrical components.

BendPak recommends referring to the ANSI/ALI ALIS Standard *Safety Requirements for Installation and Service* for more information on safe setup, operation, and service of your Lift.

-  **WARNING** Always use the proper tools, such as a forklift, shop crane or hoist, to move heavy components.
-  **WARNING** You must always wear the proper protective equipment during setup and operation of this Lift: leather gloves, steel-toed boots, back belts, and hearing protection.
-  **WARNING** **Use only factory-supplied parts.** If you use parts from a different source, you void your warranty and compromise the safety of everyone who installs or uses the Lift. If you are missing parts, visit [bendpak.com/support](https://bendpak.com/support) or by phone at **(800) 253-2363** option 7, then 4.

## Tools and Supplies required:




- Open End Wrenches.
- An Assistant

## Safety Guard Installation

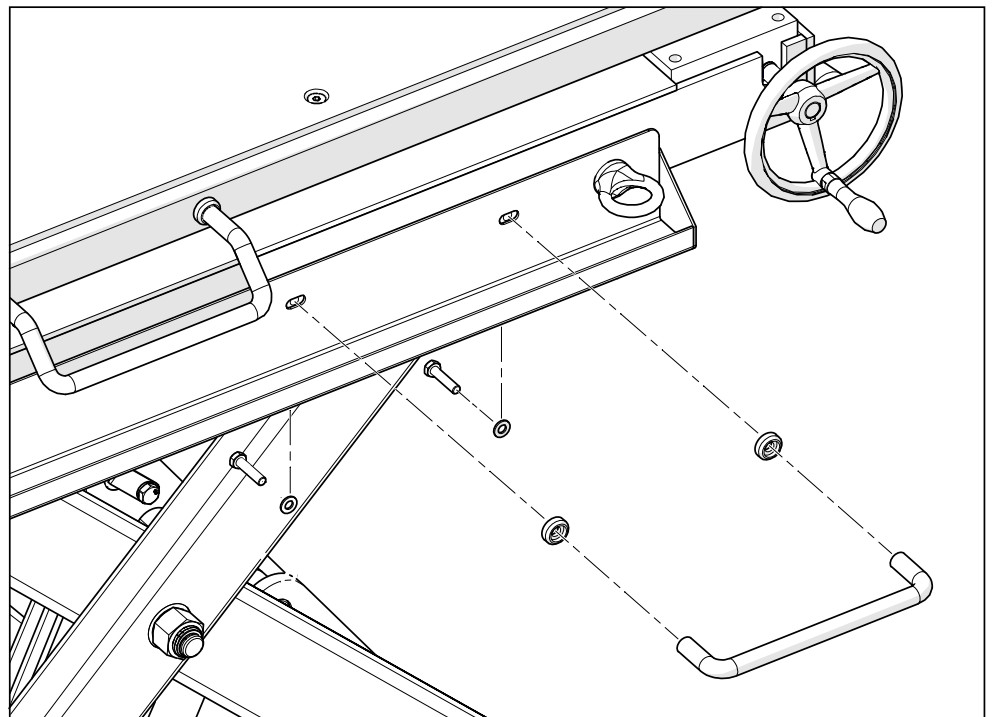
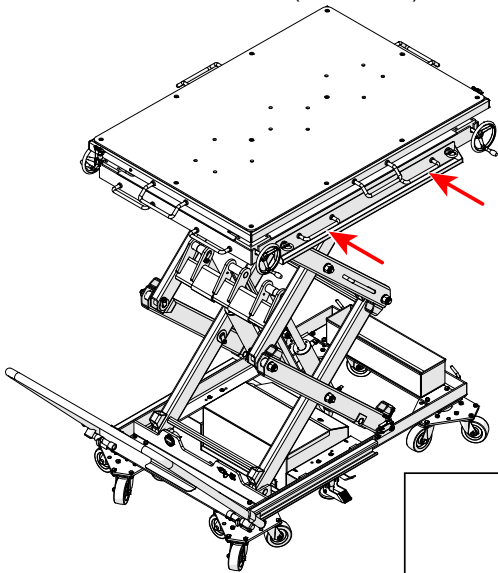
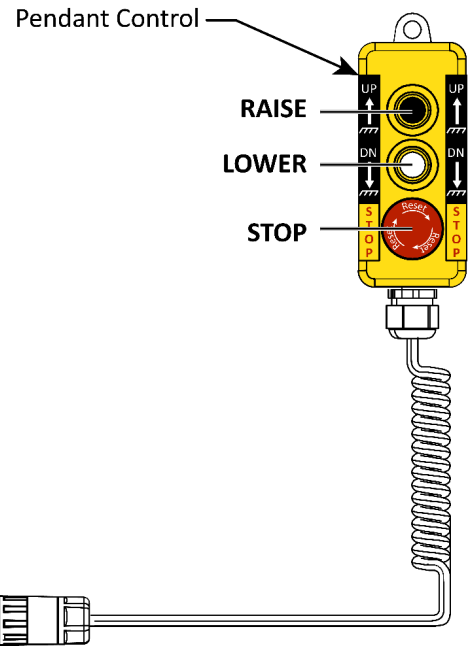
Find a clean, safe location for this installation task. The area should have adequate unobstructed space on all sides of the Lift and enough space above to raise the Lift to its top safety Lock.

### To install the Safety Guards:

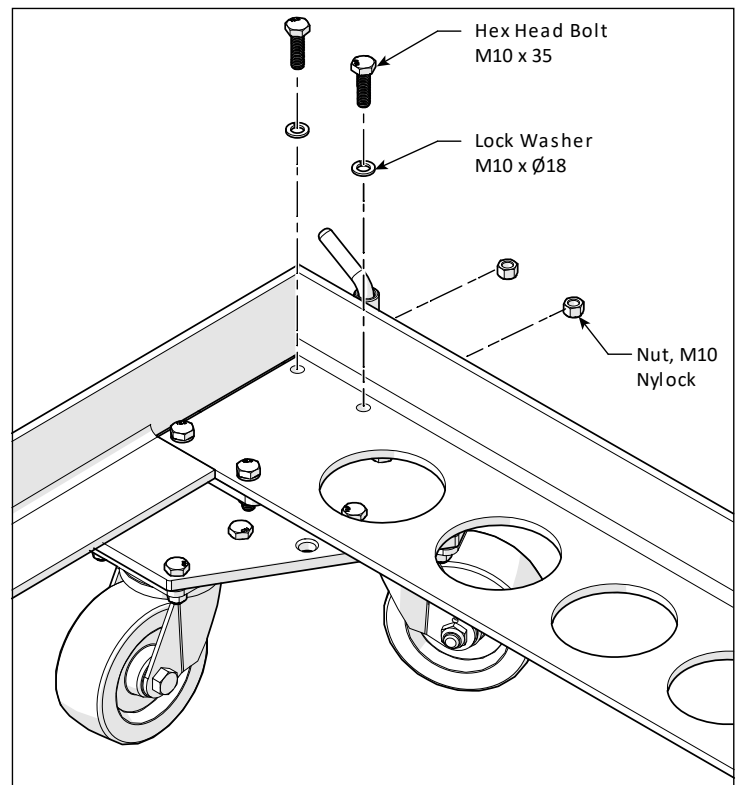
Remove the Safety Guard from its shipping package and gather the required tools for assembly. Follow the procedure described below.

-  **DANGER** **Crushing hazard and pinch points. Do not place any part of your body between the top deck and any moving part of the Lift while operating. When working under the MOBI-EVS always block the downward motion of the Lift with Jack Stands or other load-holding equipment.**
-  **WARNING** You must always wear the proper protective equipment during setup and operation of this Lift: leather gloves, steel-toed boots, back belts, hard hats, and hearing protection.
-  **WARNING** Exercise caution. Do not damage the Safety Guard while removing from the packaging.

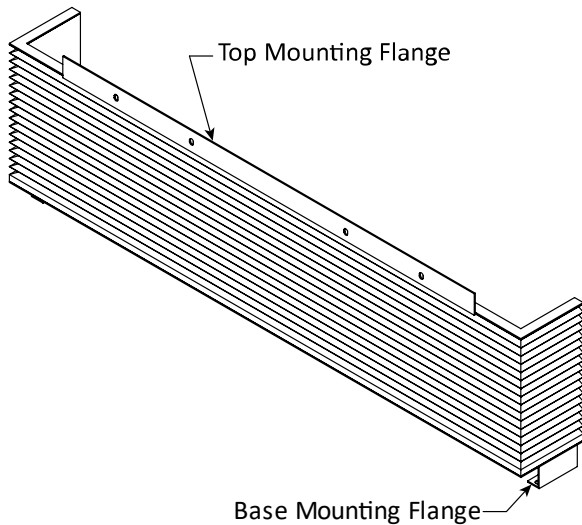
1. Raise the Mobi-EVS Top Deck to its Top Lock.
  - a. On the Control Pendant, rotate the Stop Button clockwise to apply power to the MOBI-EVS Lift.
  - b. Press the UP Button until the Lift passes its fourth Safety Lock.
  - c. Press the Stop button to remove power from the Lift.
2. Block the downward movement with Jack Stands or an equal load holding device while working under the Mobi-EVS.
3. Remove the two side Handles on one long side of the Top Deck as indicated below. Retain all components, they will be reinstalled.
  - a. HHB M8 x 35 (5530011)
  - b. Flat Washer M8 x Ø16 (5545012)
  - c. EVS Handle Cup (5335760)
  - d. EVS Handle (5335420)



4. Move to the base of the Lift and remove the two outside Hex Head Bolts, Lock Washers, and Nylock Nuts from both Caster assemblies on that side. Refer to the figure on the right.
  - a. Hex Head Bolt M10 x 35 (5530106)
  - b. Lock Washer M10 x Ø18 (5545200)
  - c. Nut M10 Nylock (5535013)



5. Retrieve one of the Safety Guards and orient it with the Top Mounting Flange facing up as in the figure below.

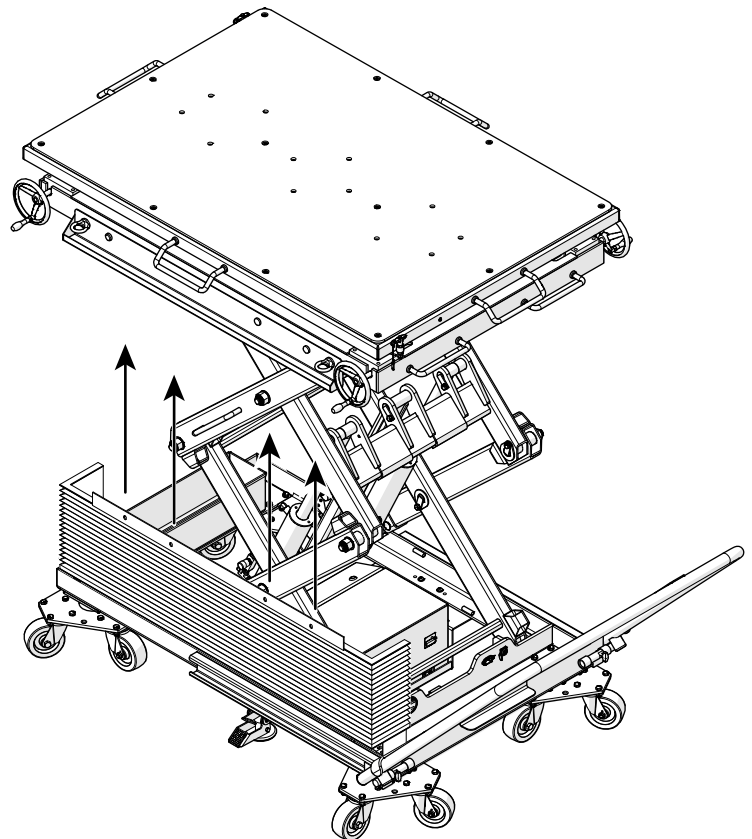


6. Have an assistant help move one of the Safety Guard assemblies into the base of the Lift. Verify the Base Mounting Flange is roughly aligned with the four Caster Assembly mounting holes.

7. Retrieve the EVS Handles, the Handle Cups and its mounting fasteners removed in step 3.

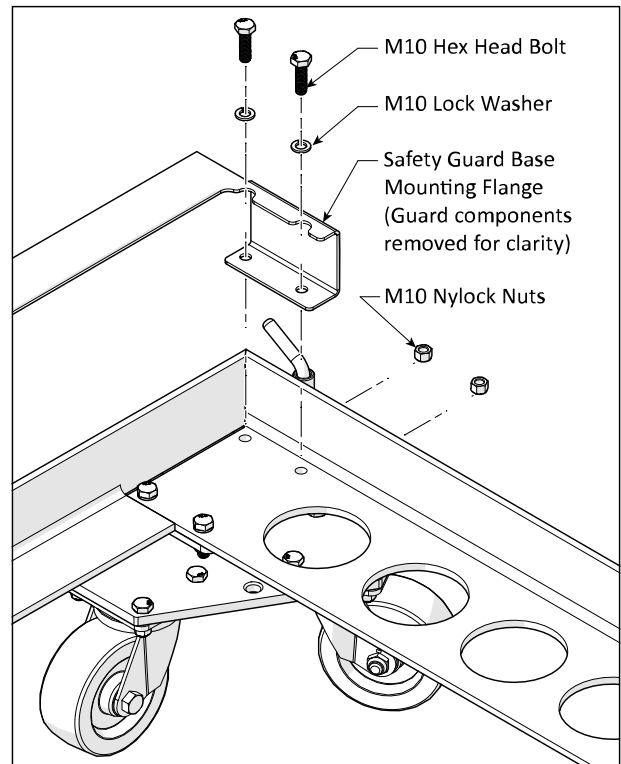
8. With an assistant's help, pull the Top Mounting Flange straight up to meet the inside surface of the Top Deck.

9. Align the mounting holes and push four of the M8 Hex Head Bolts with Flat Washers through the Top Mounting Flange and then through the side of the Top Deck. Place a Handle Cup over the Bolts and secure the Handle to the Top Deck using an open end wrench or equal to tighten the Bolts. Refer to the figure on the right.





10. Retrieve the M10 Hex Head Bolts, Lock Washers and Nylock Nuts removed from the Casters in step 4.
11. Insert the Bolts and Lock Washers through the Safety Guard's Base Mounting Flange and then through the Lift's Base and Casters. Secure with the M10 Nylock Nuts using an open end wrench or equal. Refer to the figure on the right.
12. Repeat steps 3 through 11 on the other side of the Lift using the remaining Safety Guard.
13. Verify all fasteners removed and reinstalled for the Safety Guard installation are securely tightened.
14. Retrieve all tools and any equipment used to block the Lift's downward movement during installation.
15. Rotate the stop button on the pendant to apply power to the Lift.



16. Run the Lift down and up again. While the Lift is moving up and down, verify that the Safety Guard is operating without interfering with the Lift's mechanism.
17. The Safety Guard Installation is complete and the MOBI EVS is ready to be put into service.

**Safety Guard Outline Drawing**

