

## GoAiR

# Installation and Operation Instructions

### Oil-Free Air Compressor

Manual 5900413 —Revision A2 — September 2025



## **DANGER**

**IMPORTANT Safety Instructions, save these instructions! Read the *entire* contents of this manual *before* using this product. Failure to follow the instructions and safety precautions in this manual can result in severe injury or death. Make sure all operators also read this manual. Keep the manual near the product for future reference. ***By proceeding with installation and operation, you agree that you fully understand the contents of this manual and assume full responsibility for product use.*****

---

**Manual** - GoAiR, *Installation and Operation Manual*, Part Number 5900413, Revision A2, September 2025.

**Copyright** - Copyright © 2025 by BendPak Inc. All rights reserved. You may make copies of this document if you agree that: you will give full attribution to BendPak Inc., you will not make changes to the content, you do not gain any rights to this content, and you will not use the copies for commercial purposes.

**Trademarks** - BendPak and the BendPak logo are registered trademarks of BendPak Inc. All other company, product, and service names are used for identification only. All trademarks and registered trademarks mentioned in this manual are the property of their respective owners.

**Limitations** - Every effort has been made to ensure complete and accurate instructions are included in this manual. However, product updates, revisions, and/or changes may have occurred since this manual was published. BendPak reserves the right to change any information in this manual without incurring any obligation for equipment previously or subsequently sold. BendPak is not responsible for typographical errors in this manual. You can always find the latest version of the **manual for your product on the BendPak website**.

**Warranty** - The BendPak warranty is more than a commitment to you: it is also a commitment to the value of your new product. Contact your nearest BendPak dealer or visit [www.bendpak.com/support/warranty](http://www.bendpak.com/support/warranty) for full warranty details.

**Safety** - Your product is designed and manufactured with safety in mind. However, your safety also depends on proper training and thoughtful operation. Do not install, operate, maintain, or repair the unit without reading and understanding this manual and the labels on the unit; *do not use your Compressor unless you can do so safely!*

**Owner Responsibility** - In order to ensure operator safety and maintain your product properly, it is the responsibility of the product owner to read and follow these instructions:

- Follow all setup, operation, and maintenance instructions.
- Make sure product setup and use conforms to all applicable local, state, and federal codes, rules, and regulations, such as state and federal OSHA regulations and electrical codes.
- Read and follow all safety instructions. Keep them readily available for operators.
- Make sure all operators are properly trained, know how to safely operate the unit, and are properly supervised.
- Do not operate the product until you are certain all parts are in place and operating correctly.
- Carefully inspect the product on a regular basis and perform all maintenance as specified.
- Service and maintain the unit only with approved replacement parts.
- **BendPak** makes no promises, guarantees or assurances that our products meet any state, county, federal or international mandated permit, license, code, standard, certification, or any other mandate other than what is listed or shown on BendPak website(s), or any BendPak or Ranger online or published catalog. **Buyer assumes full responsibility for any state, county, federal or international mandated permit, license, code, standard, certification, or any other mandate required related to the installation and/or operation of any BendPak product.** BendPak will not be responsible for any charges, fines, liens, or other levies imposed on the Buyer related to any special or regional structural, seismic or any other building code and/or codes such as the Uniform Building Code (UBC), International Building Code (IBC), or any other state, county, federal or international mandated permit, license, code, standard, certification, or other mandate, law, rule, regulation or directive by any other agency, government, administrations, or corporations whether state, county, federal, or international mandated.
- **Only use this Compressor if it can be used safely!**

Designed and engineered by BendPak Inc. in Southern California, USA. Made in China.

## GoAiR Introduction

The GoAiR offers a handy and compact compressed air source delivered in one easy-to-mount, lightweight package. Once the unit is securely mounted to almost any vertical surface (protected from weather conditions), the GoAiR can be used to operate Vehicle Lift Safety Locks, inflate tires, sports equipment, and more. Push the power On switch, and the pump will deliver up to 90psi (6.2 bar) of pneumatic pressure into the air tank. When air pressure in the tank drops below 40psi, the pump will auto-start to return pressure to 90psi. The compressor has a self-protection system to prevent overheating. More information about BendPak products can be found at [bendpak.com](http://bendpak.com).

This manual is mandatory reading for all GoAiR users, including anyone who installs, operates, maintains, or repairs it. You can find the [manual for your product on the BendPak website](#).



### **⚠ DANGER**

Be very careful when setting up, operating, maintaining, or repairing this equipment; failure to do so could result in property damage, product damage, injury, or (in very rare cases) death. Make sure only authorized personnel operate this equipment. All repairs must be performed by an authorized technician. Do not make modifications to the unit; this voids the warranty and increases the chances of injury or property damage. Make sure to read and follow the instructions on the labels on the unit.

Keep this manual on or near the equipment so that anyone who uses or services it can read it. Technical support, parts and service are available from your dealer, on the Web at [bendpak.com/support](http://bendpak.com/support), by email at [support@bendpak.com](mailto:support@bendpak.com), or by phone at **(800) 253-2363**, then follow the prompts.

### **⚠ WARNING**


**California Proposition 65.** This product can expose you to chemicals including styrene and vinyl chloride which are on the list of over 900 chemicals identified by the State of California to cause cancer, birth defects or reproductive harm. **ALWAYS** use this product in accordance with BendPak BendPak's instructions. For more information go to [www.P65Warnings.ca.gov](http://www.P65Warnings.ca.gov).


## Important Safety Information


Please note the following:

- Risk of injury. Do not direct a compressed air stream at people or animals.
- Do not use to supply breathing air.
- Indoor mounting is required.
- The product **must** only be operated by authorized, trained, properly supervised personnel. Keep children and untrained personnel at least 30 feet away from the product when it is in use.
- Do not blow air toward open flames, pilot lights, stoves, heaters, air compressors, or any heat source. Solvents and coatings are highly flammable, when sprayed.
- After each use, shut off the power and drain the tank. Do not leave the tank pressurized. Internal rust causes tank failure and possible explosion.
- Do not disassemble or adjust internal components. No user serviceable internal components.
- All air line components, including hoses, pipes, connectors, filters, etc., must be rated for a minimum working pressure of 150 PSI, or 150% of the maximum system pressure, whichever is greater.

- 
- USE OF AN EXTENSION CORD IS NOT RECOMMENDED. Instead use longer air hose lengths.
  - If you must use an extension cord, use one with a 14 AWG minimum wire gauge and use the shortest cord length possible. Note that an undersized cord will cause a drop in line voltage resulting in loss of motor power and electrical overheating. This damage is not covered under warranty.

 **DANGER** Risk of explosion: The compressor has internal arcing or parts that may spark and should not be exposed to flammable vapors. Motor should not be located in a recessed area or below floor level.

 **DANGER** Never expose the compressor to rain or other damp environments. Damage to the motor caused by water is **not** covered by the warranty.

 **DANGER** **TO PREVENT ELECTRICAL SHOCK AND/OR LOSS OF LIFE FROM INCORRECT GROUNDING**, check with a licensed electrician as to whether the outlet is properly grounded. Do not modify the power cord plug provided with this compressor. Never remove the grounding prong from the plug. Do not use the compressor if the power cord or plug is damaged. If damaged, have it repaired by a service facility before use. If the plug will not fit the outlet, have a proper outlet installed by a licensed electrician.

### **110VAC Grounded Compressors:**

In the event of a malfunction, grounding provides a path of least resistance for electric current, thus reducing the risk of electrical shock. This compressor is equipped with an electric cord that includes a grounded plug. The plug must be connected to a matching 3-prong outlet that is properly installed and grounded in accordance with all local codes and ordinances.

Use only 3-wire extension cords that have 3-prong grounded plugs and 3-prong receptacles that accept the compressor's plug.

Repair or replace damaged or worn cords immediately.

Do not use an adapter to connect this compressor to a different outlet.

# Specifications

<b>Mounting</b>	Surface mount (bracket included)
<b>Input Voltage</b>	110VAC, 2A, 60Hz.
<b>Fuse Value and Type</b>	10A, 20mm L x 5mm Dia.
<b>Air Tank Capacity</b>	.5 gal. (2 Liters)
<b>Maximum Air Pressure</b>	90 psi (6.2 Bar)
<b>Compressed Air Output Port</b>	1/4-18NPT
<b>Air Regulator Output</b>	Adjustable
<b>Air Tank Pressure Relief Valve</b>	Yes
<b>Height</b>	16 in. (406 mm)
<b>Width</b>	10 in. (254 mm)
<b>Depth</b>	7 in. (178 mm)



## Additional Components Included:

Description	Part Number	Qty.	
Elbow, Compression Fitting 1/4NPT x 1/4 in. Tube	5550083	2	
1/4 in. Poly-Flo Tubing	5570795	3 ft. (914 mm)	
1/4 in. Wye Fitting	5550234	1	

## Mounting

The GoAiR may be mounted on any surface capable of supporting it. Ideal locations are near a power outlet and close to where the compressed air is required. The GoAiR may also be mounted on BendPak's Two or Four-Post Lifts as detailed below.

**⚠ WARNING** **Never obstruct the cooling Fan inlet or outlet on the sides of the GoAir. Overheating damage to the motor and associated components will result.**

**IMPORTANT** **Verify that the GoAiR fasteners will not interfere with the lift head, hydraulic hoses, cables or wiring inside the Lift Posts.**

- BendPak Two-Post Lifts allow a choice of THREE mounting bracket locations on the lift post: one on the rear face (opposite from the post opening) or on either side face of the lift post.
- BendPak Four-Post Lifts allow only TWO mounting bracket locations. One on the rear face of the lift post (opposite the lift post opening). The GoAiR may also be mounted to an unused Power Unit bracket.

### To install the mounting bracket:

Position the mounting bracket (wide end up and narrow end down) on the mounting location about 18 in. (457 mm) below the Power Unit's bracket (for most installations).

**Ensure that the bracket is located on the centerline of the Lift Post.**

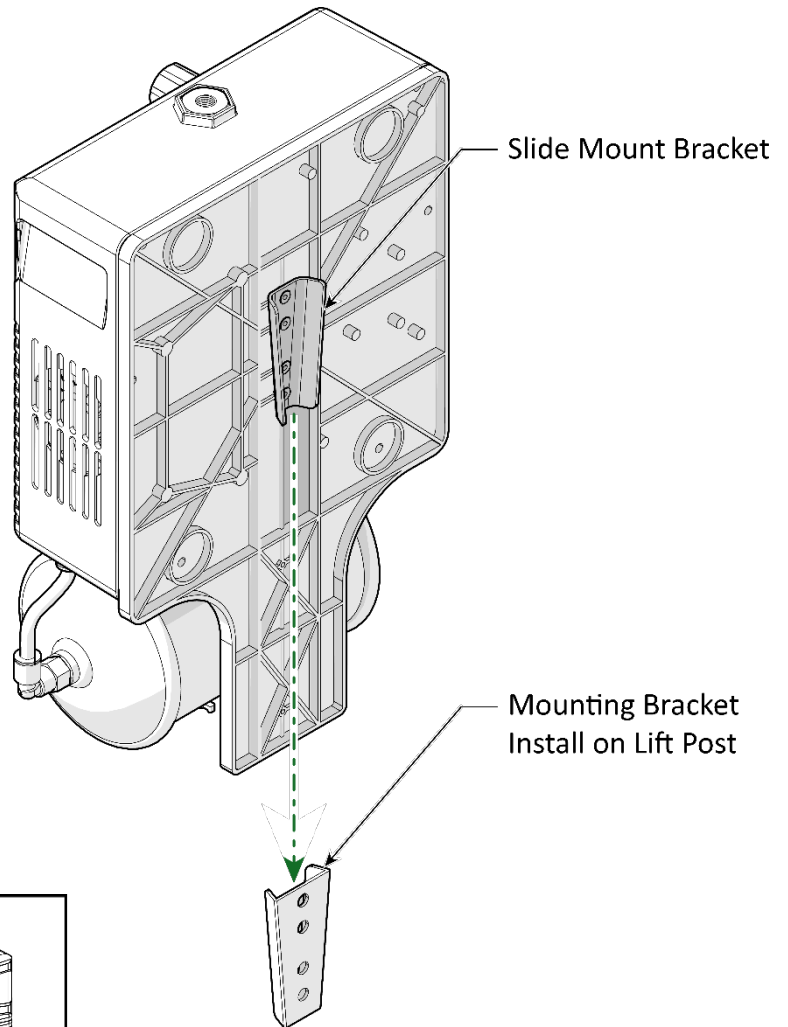
With the mounting bracket positioned on the post, mark two points where the fasteners will install with a pencil (through two of the four stamped holes of the mounting bracket).

Use a center-punch to mark and provide a starting point for the drill

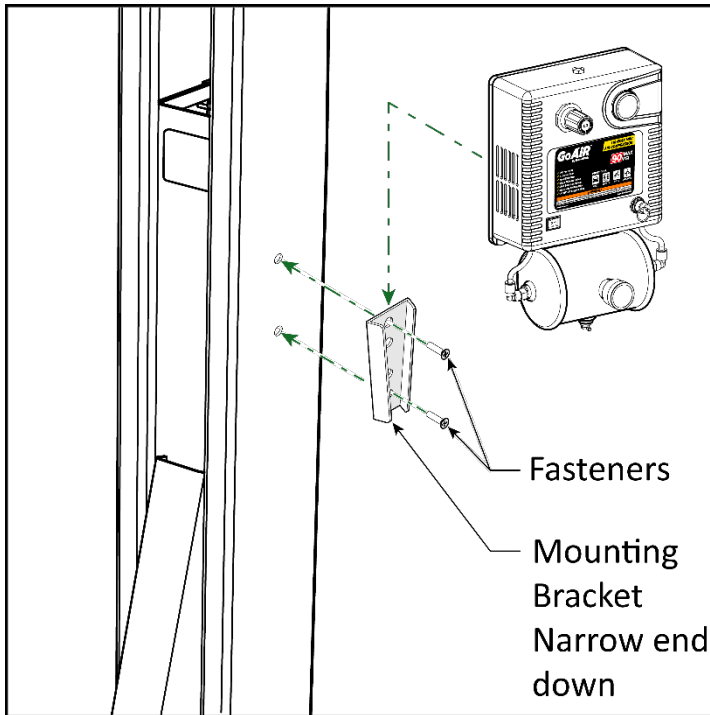
Drill two 7/32 in. (5.5 mm) holes at the center-punched positions.

Refer to figures below. With the properly sized socket wrench, secure the bracket by installing and tightening the two supplied #14 x 3/4 in. (19 mm) screws. **Verify that the fastener penetration inside the post will not interfere with the Lift's operation. Shear off excessive fastener length, if required.**

Slide the GoAiR Compressor onto the mounting bracket so that the GoAiR bracket interlocks into the lift post's mounting bracket.



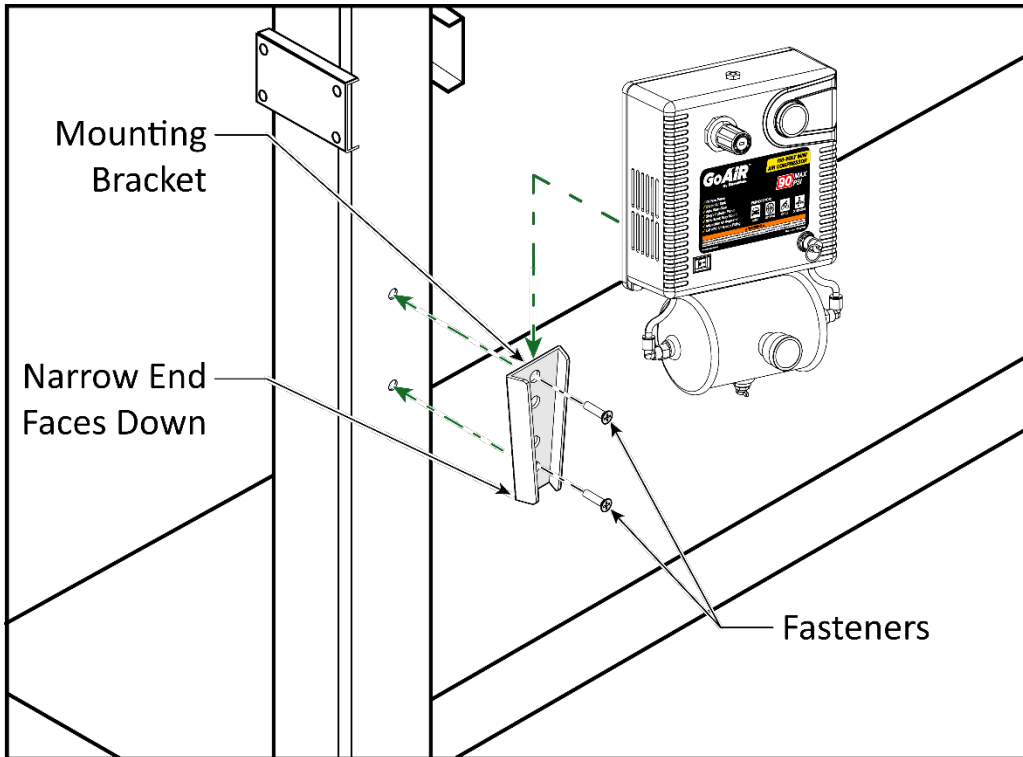
**2-Post Lift Mounting**



**IMPORTANT!**

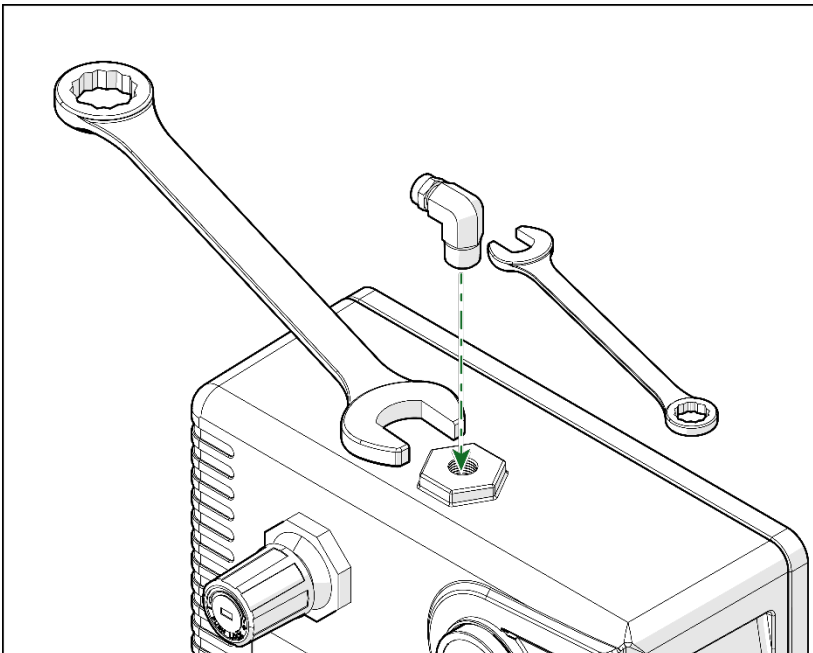
Allow a clear space of 18 in. (457 mm) above the GoAiR mounting bracket. This allows clearance for the body of the GoAiR to slide down into its mounting bracket without interference.

## 4 Post Lift Mounting



## Plumbing

The GoAiR delivers compressed air via a 1/4 NPT female brass hex fitting, located at the top center of the unit. To that fitting, simply install any appropriate 1/4NPT fitting, or plumb the GoAiR directly into the compressed air system. When installing a pneumatic fitting, use one wrench to support the 1/4NPT female hex fitting, and the second wrench to tighten the mating pneumatic fitting. On all NPT air fittings, clean and then apply Teflon thread sealant or tape on all male threads before assembling.



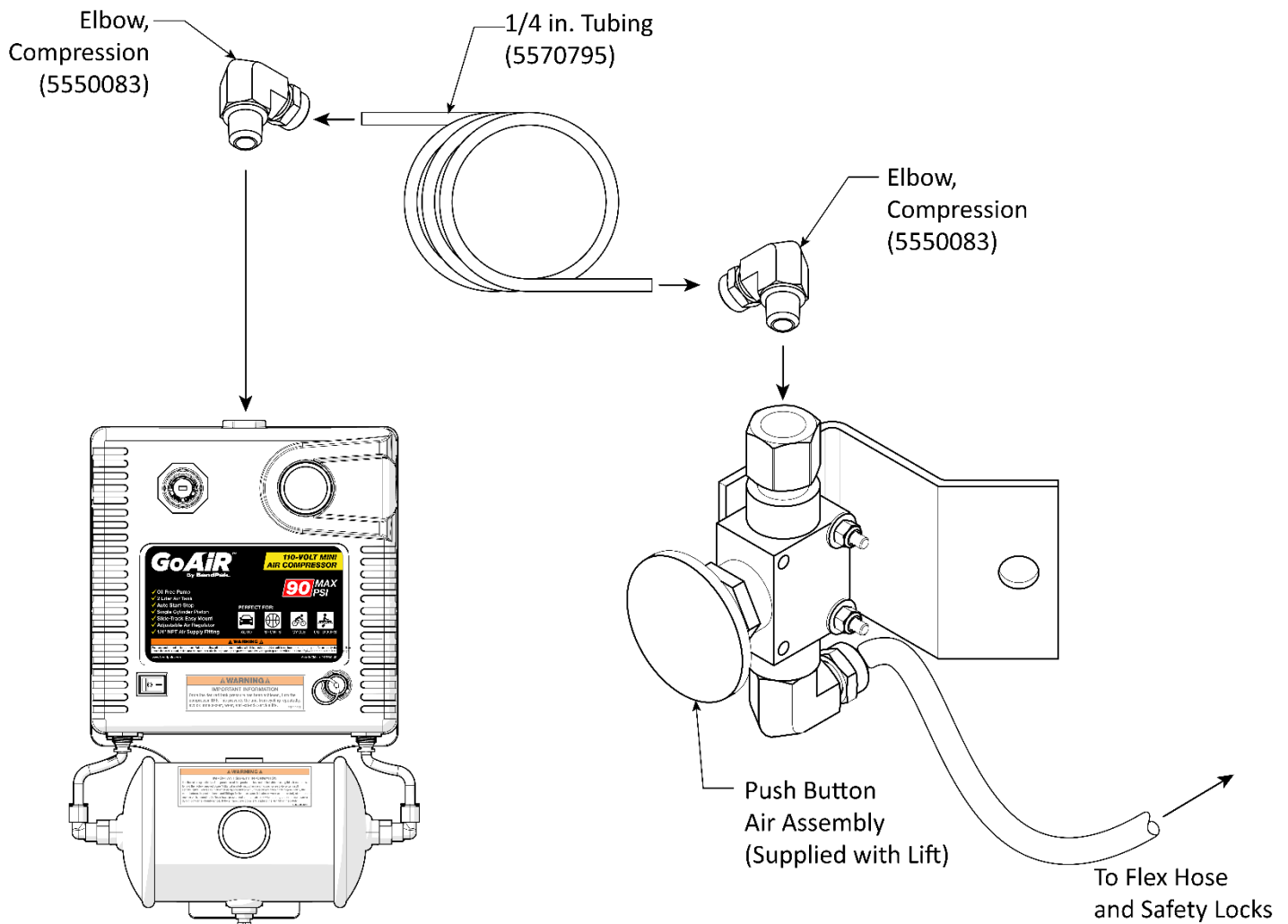
## Connecting the GoAiR to Control Four-Post Safety Locks:

The figure below depicts the GoAiR pneumatic connections to a BendPak four-post lift used to drive the safety locks on-off. The optional Wye fitting is supplied in case a secondary system is to be connected to the GoAiR.

**Note!** The GoAiR Compressor must be mounted close enough to the push button air assembly to allow the supplied 1/4 in. tubing to be routed between the compression fittings without being damaged.

**Note!** All NPT threaded connections require a thread sealant or Teflon tape to ensure leak-free operation.

**IMPORTANT!** Please Note! The GoAiR will not provide sufficient air volume to operate BendPak Rolling Bridge Jacks.



## Connect to a Power Source

The Compressor is delivered with a 3-prong electrical cord that includes a ground. After connecting the cord to the unit, attach the opposite end to a 110VAC grounded outlet.

**⚠ DANGER** Risk of Fire or Explosion-Do not spray flammable liquid in a confined area. Spray area must be well ventilated. Do not smoke while spraying or spray where spark or flame is present. Keep compressor as far from spraying as possible.

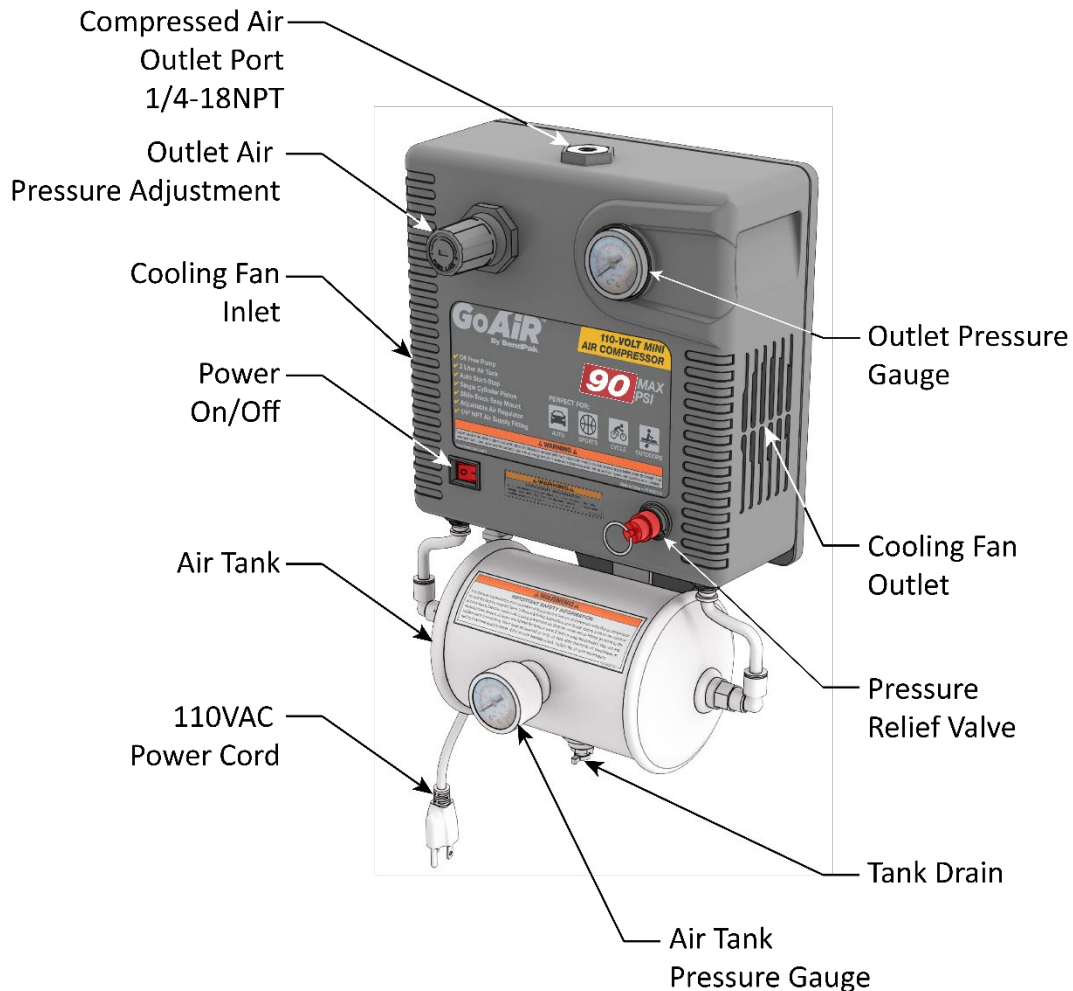
**⚠ DANGER** The Compressor uses electrical energy to create pneumatic energy; if your organization has Lockout/Tagout policies, implement them after connecting the GoAiR to a power source.

**⚠ WARNING** To prevent serious injury from accidental operation turn the Power Switch “OFF” and unplug the GoAiR from its electrical outlet before performing any inspection, maintenance, or cleaning procedures.

## Operation

**PLEASE NOTE!** An internal cooling fan will operate when power is applied to the GoAiR. This fan will run while the compressor is in operation and will continue to run up to 30 minutes after the tank has come up to pressure and the compressor has stopped. This ensures the pump is completely cooled and prevents overheating damage.

1. Connect the Power Cord to a 110VAC, grounded outlet and the opposite end to the GoAiR.
2. Apply power to the GoAiR by depressing the left side of the rocker switch.
3. Adjust the output pressure viewed on the Air Outlet Pressure Gauge.



4. If the GoAir runs more than 15 minutes. See **Troubleshooting**.
5. After each use shut off power and release all air in the system by opening the tank drain. Do not leave the tank pressurized.
6. After repairing, close the drain and apply power.

**⚠ DANGER** Never direct compressed air at, or in the direction of any person or animal. Injury, such as loss of hearing, or loss of vision may occur from any misuse or negligence. Only personnel familiar with pneumatic devices should be allowed to operate this equipment.

**⚠ DANGER** Pneumatic air generated by the compressor should never be used for human consumption. Unknown quantities of toxic elements or liquids may be present. If pneumatic air is inhaled, immediately contact a physician to determine if treatment is required.

## Maintenance Schedule

The following table is a general maintenance schedule based on normal usage. Needs may vary based on specific environment. Before each use, inspect the general condition and check for:

- Loose hardware
- Cracked or broken components
- Damaged electrical wiring
- Any other condition that may affect safe operation

Item	Recommended Frequency	Comments
Cleanliness	Daily	Keep the compressor and the area around it clean. Wipe up any oil/lubricant spills, remove dirt.
Water	Daily	Remove power and drain the air tank before and after each use. The tank can rust from accumulated condensation, which weakens the tank. Inspect periodically for unsafe conditions such as rust formation.
Tank	Daily	Drain the Tank, inspect for rust and corrosion. If found, remove. Do not attempt to repair a damaged tank; a damaged tank <b>must</b> be replaced.
Fasteners	Weekly	Verify the all mounting fasteners are secure.
Environment	Monthly	Make sure the environment is free from contamination such as excessive dust or paint in the air. Preferred environment is cool, dry, filtered air.
Location	As needed	The air temperature should be 41°F to 100°F (5°C to 38°C); if above or below this range consider relocating the compressor. Humidity should be under 80%; if above, consider relocating the Compressor.
Wiring	Twice Yearly	Inspect Power Cord for damage. Replace as required.
All components	Annually	Take the unit out of service and clean it.

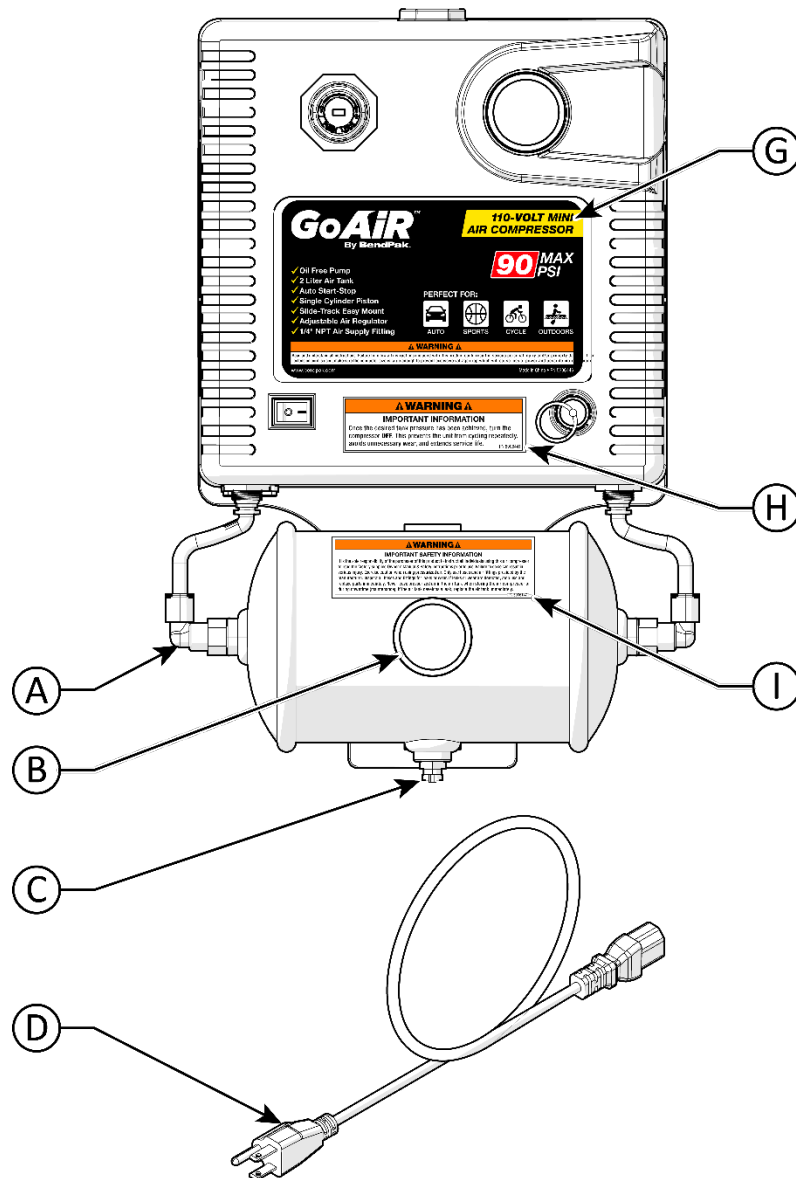
## Troubleshooting

Symptom	Action
Will not start when power is applied.	<ol style="list-style-type: none"> <li>1. Check the pressure gauge. The GoAiR will not start if pressure is above ≈40psi.</li> <li>2. Unplug the GoAiR and check the fuse for continuity. Replace fuse, if required.</li> </ol>
Runs more than 15 minutes after applying power.	<ol style="list-style-type: none"> <li>1. Remove power and inspect the GoAir and the pneumatic system for leaks. Use a solution of soap and water to find bubbles indicating the source of the leak and then repair.</li> <li>2. After repairing, close the drain, apply power and verify the GoAir comes up to pressure in less than 15 minutes.</li> </ol>

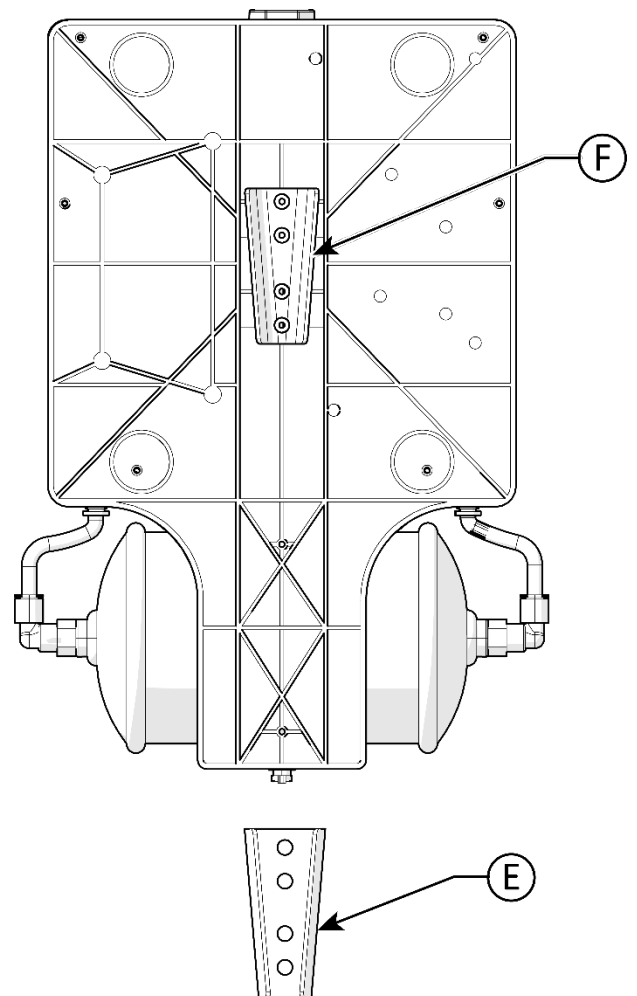
## Spare Parts

Item	Description	Part Number
A	GoAir 90° Push-to-Connect Air Fitting	5180550
B	GoAir Pressure Gauge	5180547
C	GoAir Tank Drain Plug	5180545
D	GoAir plug-in Power Cord 110VAC	5180546
E	GoAir Post Mounting Bracket	5180548
F	GoAir Slide Mount Bracket	5180549
G	GoAir Product Label	5906146
H	GoAir Label Tank Pressure	5906441
I	GoAir Label Safety Label	5906147

Front View



Rear View



---

**BendPak**<sup>®</sup>

30440 Agoura Road  
Agoura Hills, CA, 91301 USA  
[bendpak.com](http://bendpak.com)

---

© 2025 by BendPak Inc. All rights reserved