

# BendPak®

# AP-SRT

10AP-SRT | 12AP-SRT

MADE STRONG™

Two-Post Mid Rise Lift



10,000 Lb.  
Lifting Capacity  
10AP-SRT

12,000 Lb.  
Lifting Capacity  
12AP-SRT



360°

AUTOMATIC SWING ARM  
RESTRAINT SYSTEM



Bi-Metric  
Swing Arms



Triple-Telescoping



Single-Point  
Safety Lock

1-800-253-2363 | WWW.BENDPAK.COM

© 2024 BendPak Inc. All rights reserved. BendPak is a registered trademark.

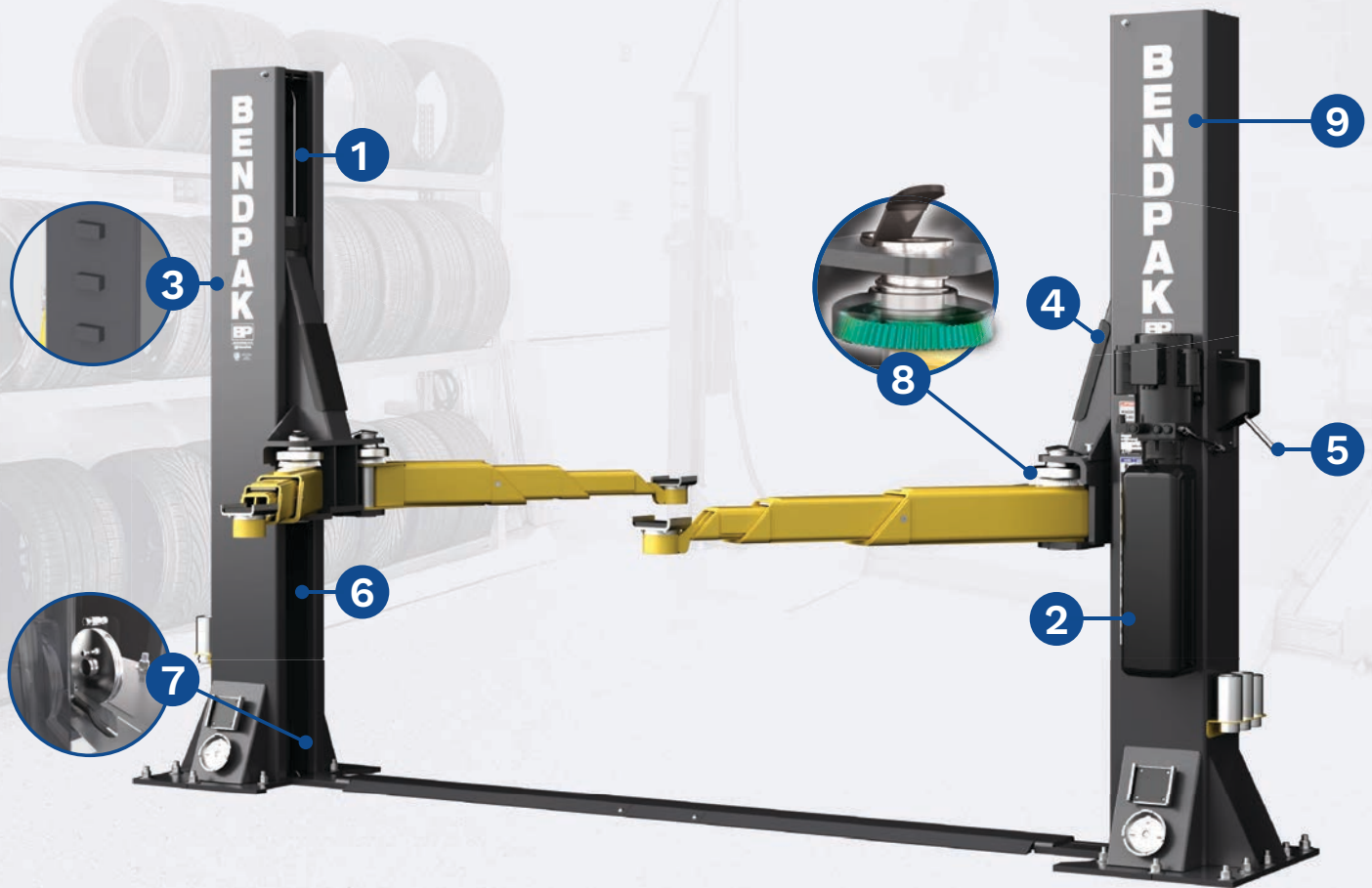
# BendPak®



## The Ultimate Mid-Rise Lift

Recent Bureau of Automotive Repair statistics rank tire, wheel, and brake service as the most common vehicle repairs. With the increasing presence of electric vehicles, which demand more frequent tire replacements, this statistic will only increase. As shops recognize the increasing need for dedicated tire and wheel service, BendPak introduces the revolutionary SRT Series lifts. These lifts are designed to address the practical concerns of businesses, offering a cost-effective alternative to full-rise lift options. With impressive weight capacities of 10,000 and 12,000 pounds, they effortlessly accommodate various vehicle sizes and weights. Their compact design ensures they fit seamlessly into tight spaces, such as residential garages and low-ceiling shops, where traditional lifts struggle.

# FEATURES



**1.** Dual Hydraulic Direct-Drive Cylinders

**2.** Electric/Hydraulic HVLP Power System

**3.** Safety Locks Conveniently Placed in Each Column

**4.** Tall Carriages for Superior Strength and Durability

**5.** Single-Point Safety Release

**6.** Heavy-Duty, Aircraft-Quality Equalizer Cables

**7.** Oversized Cable Sheave Diameter Reduces Cable Fatigue

**8.** ASARS - Withstand Over 2,000 lbs. of Side Force

**9.** Durable Powder Coat Finish









# PRODUCT DETAIL

## The Perfect Lift For Tire, Brake, and Wheel Service

The compact design of the 12AP-SRT makes it the lift of choice when you're performing tasks that don't require you to stand underneath a vehicle. With a max rise of roughly 46 inches, this lift is ideal for tire and brake service as well as detailing.

## Standard and Optional Adapters

At BendPak, we continuously pursue better design and functionality to boost workshop safety and productivity. Our standard adapter packages ensure secure support for vehicles at their manufacturer-specified lifting points on the frame or rocker panels. The 10AP-SRT features telescoping screw pads topped with durable gouge-resistant polyurethane pads, while the 12AP-SRT, tailored especially for heavier vehicles, comes loaded with frame-hugging cradle pads and various size stacking adapters for safe and secure handling of light and medium-duty vehicles up to 12,000 lbs. Our wide selection of optional frame cradle supports and stacking adapters offers additional vehicle support options. All BendPak accessories and adapters are ALI/ETL certified, assuring maximum performance, safety, and minimal downtime.

	<b>Replacement Urethane Pads</b> (Set of 4) 5700227		<b>2.25" Small Adapters</b> (Set of 4) 5215757
	<b>Wide Frame Cradle Pads</b> (Pair) 5215761		<b>2.5" Medium Adapters*</b> (Set of 4) 5215758
	<b>Screw Pads*</b> (Set of 4) 5215762		<b>5" Tall Adapters*</b> (Set of 4) 5215759
	<b>Adapter Holders*</b> (Set of 2) 5215761		<b>Air Electric Work Station</b> (WSA-100) 5210438

\*10AP-SRT comes standard with Screw Pads & Adapter Holders. 12AP-SRT comes standard with Medium Adapters, Tall Adapters & Adapter Holders.

## ALI CERTIFIED

A variety of BendPak lifts undergo a rigorous third-party safety evaluation performed by The Automotive Lift Institute (ALI). ALI was founded in 1945 to serve the industry's common good and has developed the first Commercial Standard covering vehicle lifts published by the National Bureau of Standards. Currently, the ALI Lift Certification Program has been the only accredited program to validate that an automotive lift model meets the ANSI/ALI ALCTV certification.

BendPak Lifts that are tested and certified to meet all the applicable industry safety and performance requirements display the ALI Gold Label. BendPak is proud to produce automotive lift equipment that meets or exceeds these industry accredited safety standards.



## Unparalleled Safety with Automatic Arm Restraint

Traditional swing arm restraints serve their purpose, but BendPak takes safety to the next level. The AP Series introduces the revolutionary Automatic Swing Arm Restraint System (ASARS) that stands strong against the forces exerted when vehicles unexpectedly shift during loading or service. This adaptive system boasts a heavily forged-steel design, providing over 2,000 pounds of load-holding force. With a 360-degree grip, this patented arm restraint system ensures arms stay firmly in place, minimizing unplanned swing arm movement. The system's quick-release operator lever guarantees precise and secure control.



## The Future Is Triple-Telescoping

Innovative and patented triple-telescoping swing arms redefine lifting precision. Unlike traditional arms, the AP arms retract shorter and extend farther, offering versatile arm positioning options for lift operators. The unique three-stage design, complete with a patented nesting feature, enables greater retraction and extension. Inner sliding arm movement reaches new levels without any hindrance, allowing for precise lifting action with increased efficiency.

## Bi-Metric Swing Arms

Exclusive Bi-Metric adaptable swing-arms give users the ability to set their lift up in either symmetric or asymmetric configurations. The 2-in-1 design gives operators the option of loading vehicles either symmetrically (centerline of vehicle at column) or asymmetrically (centerline of vehicle behind column). By not having to switch out arms, you'll be able to service vehicles faster than ever before.



## Single-Point Safety Lock System

Our patented automatic safety lock system guarantees that safety locks on each column engage automatically throughout all lift rising operations, ensuring a dependable layer of safety. Enjoy added convenience with the ergonomic single-point safety lock release, eliminating the need for walking back and forth to release the locks on each column.

# SPECIFICATIONS

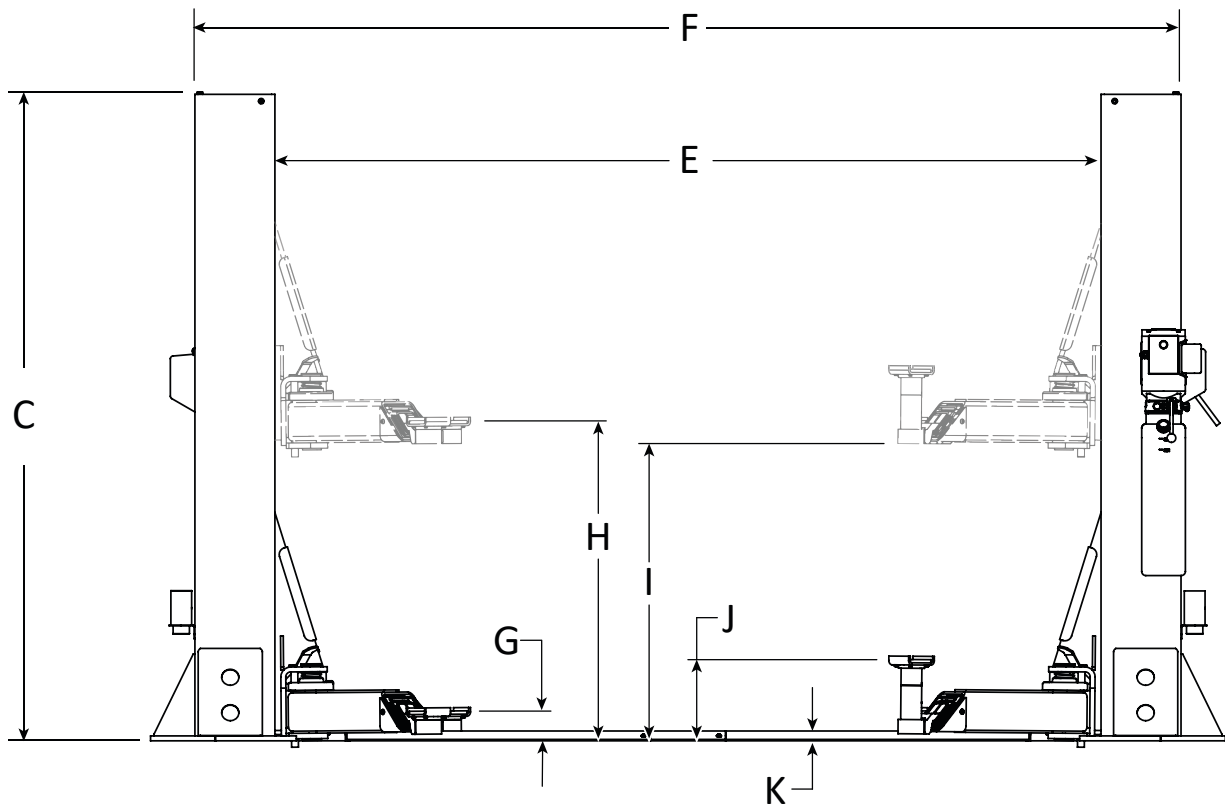
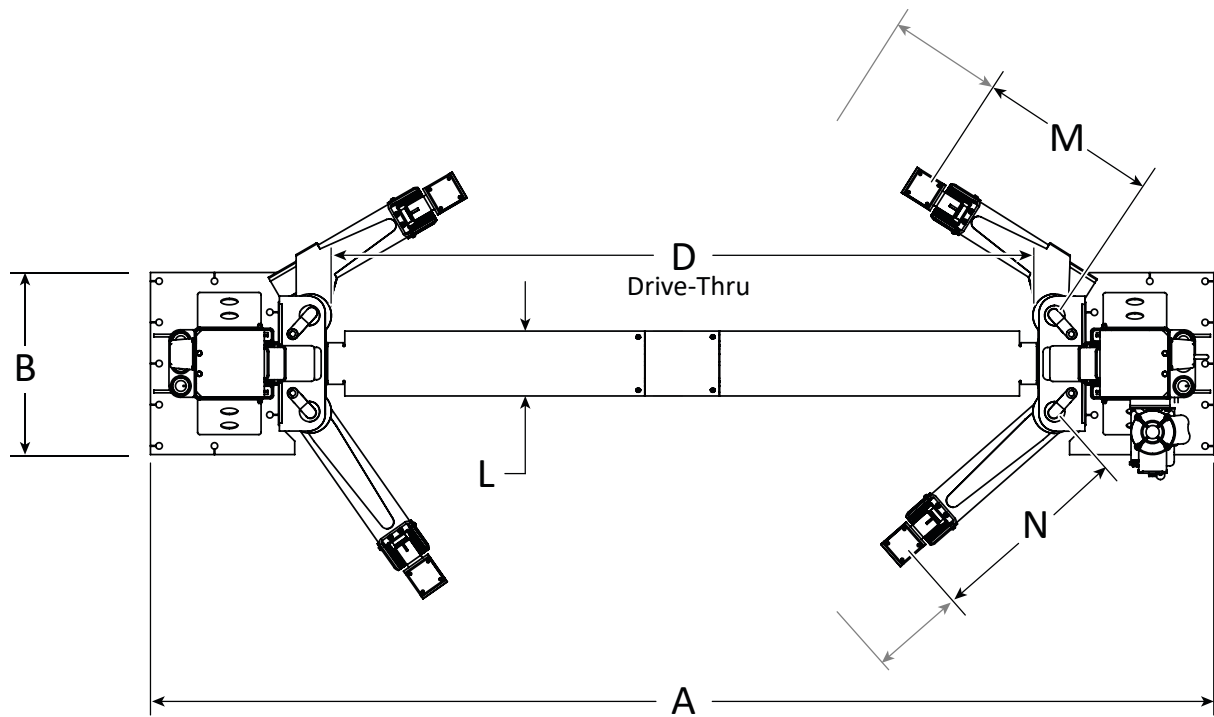
Model	10AP-SRT	12AP-SRT
SKU	5175610	5175605
Lifting Capacity	10,000 lbs. / 4,536 kg	12,000 lbs. / 5,443 kg
Maximum Capacity – Front Axle	5,000 lbs. / 2,268 kg	6,000 / 2,721.5 kg
Maximum Capacity – Rear Axle	5,000 lbs. / 2,268 kg	6,000 / 2,721.5 kg
A – Width Overall	139 in. / 3,529 mm	155 in. / 3,937 mm
B – Base Plate Width	25.25 in. / 642 mm	26.5 in. / 674 mm
C – Post Height	93.5 in. / 2,377 mm	93.5 in. 2,376 mm
D – Drive-Thru	94 in. / 2,389 mm	102.25 / 2,600 mm
E – Inside Posts	111.25 in. / 2,825 mm	119.25 in. / 3,026 mm
F – Outside Posts	132.5 in. / 3,365 mm	142.25 in. / 3,612 mm
G – Minimum Height w/ Pad	4.75 in. / 122 mm	5 in. / 128 mm
H – Max. Lifting Height	46.25 in. / 1,173 mm	46.25 in. / 1,173.5 mm
I – Max. Rise	42.5 in. / 1,081 mm	43 in. / 1,089 mm
J – Max. Pad Adjustment	2.25 in. / 55 mm <sup>1</sup>	12 in. / 306 mm <sup>2</sup>
K – Floor Plate Height	1.4 in. / 36 mm	1.5 in. / 36 mm
L – Floor Plate Width	9.5 in. / 240 mm	9.5 in. / 240 mm
M – Front Arm Reach (Measured from the Lift Arm Pivot to the Cradle Pad Center Pin)	22.25 in. Min – 47.5 in. Max. 562 mm Min. – 1,205 mm Max.	26 in. min – 55.25 in. Max. 659 mm Min. – 1,403 mm Max.
N – Rear Arm Reach (Measured from the Lift Arm Pivot to the Cradle Pad Center Pin)	29.5 in. Min. – 57 in. Max. 747 mm – 1,446 mm Max.	29.25 in. Min. – 60 in. Max. 745 mm – 1,525 mm Max.
Safety Lock Positions	8 Positions located every 3.75 in. (95 mm)	
Standard Motor <sup>3</sup>	208-240 VAC, 50/60 Hz, 1 Phase, Approx. 11 Amps	
Time to Full Rise	≈45 seconds	
Sound	<43dB	
Operating Hydraulic Pressure Under Max. Load	2,170 psi	2,490 psi

(1) 10AP-SRT, min height with adapters (2.5 in.) round adjustable screw pads.

(2) 12AP-SRT, min. height with non-adjustable (5 in. + 2.5 in.) adapters.

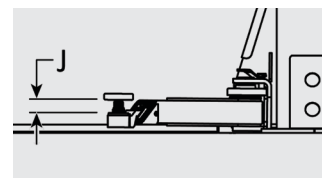
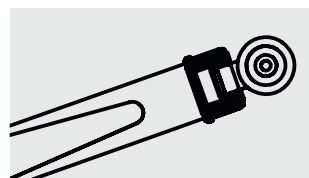
(3) Special voltages available upon request.

**Specifications subject to change without notice.**



**PLEASE NOTE:**

The 12AP-SRT ships with square frame-engaging lift pads whereas the 10AP-SRT features round pads. Specifications subject to change without notice. Photos and diagrams are shown for illustrative purposes only. BendPak makes no warranty, representation, or guarantee regarding the information contained herein or the suitability of this equipment for any particular purpose. Always refer to the operator's manual for detailed instructions on the proper use and maintenance.



**10AP-SRT LIFT**  
Ships with circular pads

# Other Popular Products From BendPak

## Octa-Flex™ Series Revolutionizing Vehicle Service

The world's first two-post lift with eight arms introduces a paradigm shift for servicing both regular and electric vehicles. The EV12DPS can securely hoist up to 12,000 lbs. using its primary arms and an additional 2,500 lbs. with its lift assist arms.



## Mobi-EVS™ Series EV Battery Pack and Powertrain Lift Table

The EVS4500 boasts a 4,500-lb. lift capacity and features a compact design which can be easily transported anywhere in the workplace, making it ideal for multi-bay facilities or workplaces with confined areas. Mobi-EVS models feature multiple recessed anchoring locations for accommodating a variety of modular fixtures, adapters, and accessories.

## 12APX Series Rise To New Heights

With a carrying capacity of 12,000 lbs. and featuring a revolutionary design that combines the best qualities of today's two-post lift types, the 12APX lifts are purposefully built to adapt alongside the vehicles it services. Whether you need wide or narrow installation, BendPak 12APX lifts offer unmatched versatility in a configurable package.



BendPak makes no promises, guarantees or assurances that our products meet any state, county, federal or international mandated permit, license, code, standard, certification, or any other mandate other than what is listed or shown on BendPak website(s), or any online or published catalog. Not all BendPak lift models meet the standards as prescribed by ANSI/ALI ALCTV-(current edition) or ANSI/UL 201. Consult [www.autolift.org](http://www.autolift.org) for a complete list of lift models that meet ANSI/ALI ALCTV-(current edition) or ANSI/UL 201, or contact BendPak via [contact@bendpak.com](mailto:contact@bendpak.com). Buyer assumes full responsibility for any state, county, federal or international mandated permit, license, code, standard, certification, or any other mandate required related to the installation and/or operation of any BendPak or Ranger product. BENDPAK will not be responsible for any charges, fines, liens, or other levies imposed on the Buyer related to any special or regional structural, seismic or any other building code and/or codes such as the Uniform Building Code (UBC), International Building Code (IBC), or any other state, county, federal or international mandated permit, license, code, standard, certification, or other mandate, law, rule, regulation or directive by any other agency, government, administrations, or corporations whether state, county, federal, or international mandated.



Awarded Contract  
Contact #121223-BND

# BendPak®

1-800-253-2363 | [WWW.BENDPAK.COM](http://WWW.BENDPAK.COM)