

# BendPak Technical Service Bulletin

## Hydraulic Line Assembly Installation – P9000 Series

### BendPak TSB 96-082022

The purpose of this Technical Service Bulletin is to correct the procedure and illustrations of the Hydraulic Line Assembly (5215466) and its connection to the Hydraulic Hose (5570040) on each P-9000 Lift Cylinder as detailed in the Installation and Operation Manual 5900022 Rev. C.

Replace the procedure and illustrations on pp. 25-28 with the following procedure.

### Connect the Hydraulic Hoses: 208 – 240 VAC only

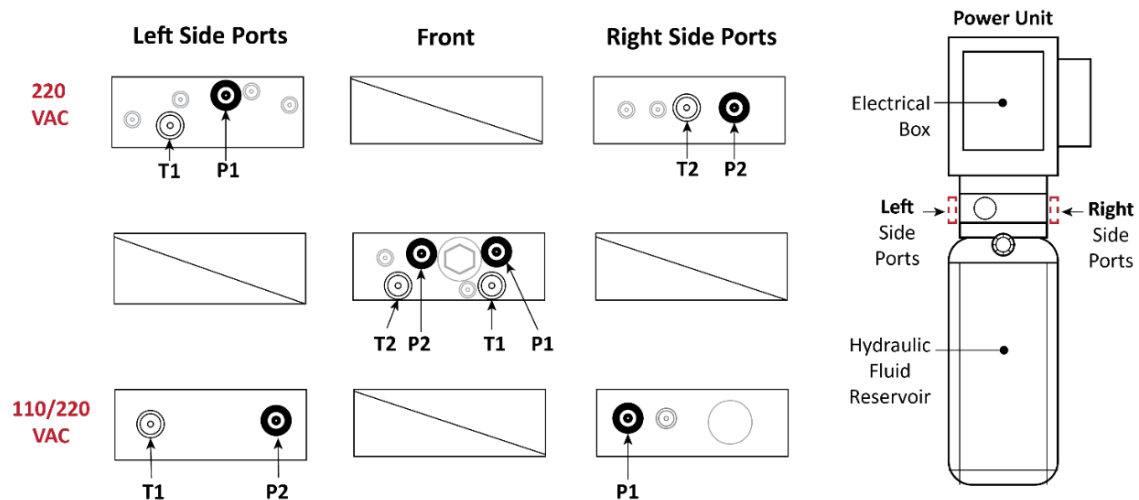
#### To connect the Hydraulic Hoses:

1. If the Platforms are not already on their top Safety Locks, raise them now. It is not possible to connect the Hydraulic Hoses if the Platforms are lowered.  
Refer to [Lift the Platforms Off the Bases](#) for additional information.
2. Locate four Hydraulic Elbow Fittings (5570086), two Nipple Fittings (5570095), two Hydraulic Hoses (5570040), and two Hydraulic Line Assemblies (5215466).
3. Prepare the Hydraulic components as described in [Hydraulic Fluid Contamination](#).
4. Attach a Hydraulic Elbow Fitting (PN 5550008) to each of the Hydraulic Pressure Ports on the Power Unit.

Depending on your Power Unit, the Port locations may be different. Use the drawing on the following page to identify your layout and then attach your Hydraulic Hoses appropriately.

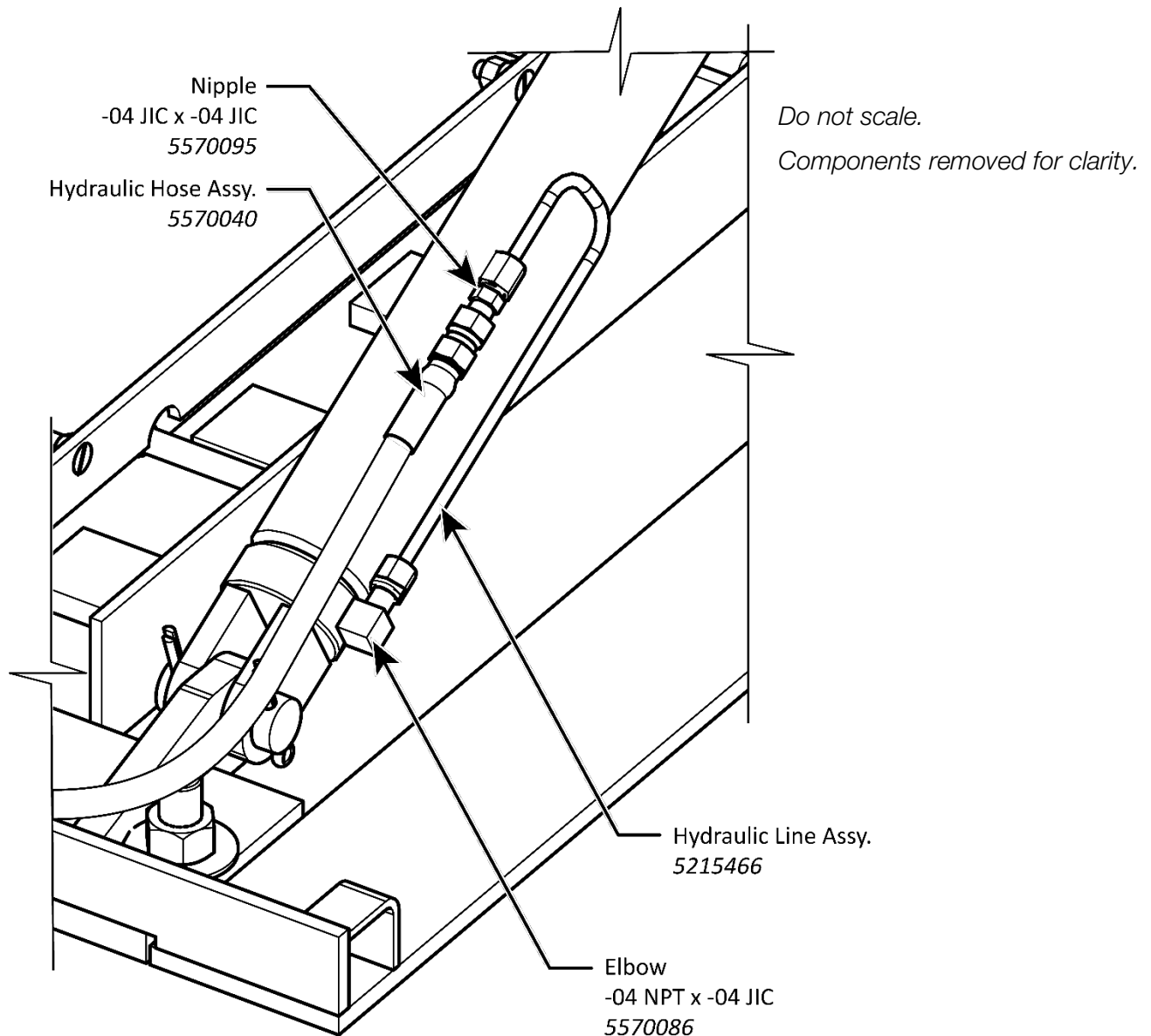
**⚠ CAUTION** The Hydraulic Pressure Ports are almost always labeled **P1/P2**; the Hydraulic Return Ports are commonly labeled **T1/T2** or **CV1/CV2**. **Do not accidentally attach a Hydraulic Hose to the Return Line Port.** Your Lift will not work right unless the Hydraulic Hoses and Return Line are attached to the correct Port.

The following drawing shows the possible configurations for your Power Unit.



*Not drawn to scale. Not all components of the Power Unit shown. Sample Power Unit shown.*

- Remove the Shipping Plugs from the Hydraulic Ports near the bottom of each Hydraulic Cylinder, then attach a Hydraulic Elbow Fitting (5570086) to each Hydraulic Port (as shown below); **use Thread Sealant on the NPT Threads only.**



- Attach the Straight End of the Hydraulic Line Assembly (5215466) to the Hydraulic Elbow Fitting you just attached, then attach a Nipple (5570095) to the end of the Hydraulic Line.

**CAUTION** When installing the Hydraulic Hose Assemblies, make sure they are angled so they end up against or very near to the Hydraulic Cylinders, not standing straight up.

- Attach the **Straight End** of the Hydraulic Hose to the Nipple Fitting, then route the Hydraulic Hose through the Retaining Rings in the corners of each Base, into an opening in the bottom of the Console, then up to one of the Hydraulic Pressure Ports on the Power Unit.
- When the Hydraulic Hose is correctly routed, connect it at both ends to the appropriate fittings.

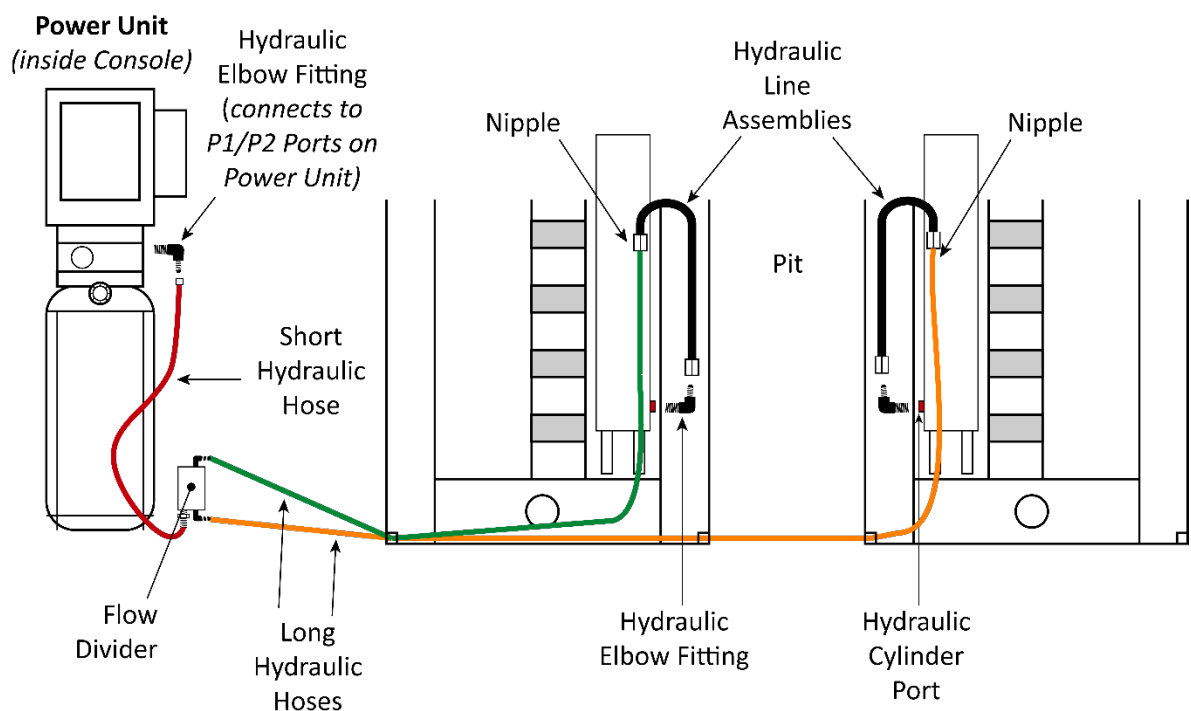
9. Perform Steps 6 through 9 for the other Hydraulic Hose and Line.
10. Verify both Hydraulic Hoses are correctly routed and do not have any kinks, then use appropriate tools to **securely** tighten the connections.

## Connect the Hydraulic Hoses: 110 VAC Setup Only

The 110 VAC Power Units that are available for the P-9000LT/F use a *different Hydraulic Hose setup* than the standard 208-240 VAC Power Units. **This section covers the 110 VAC Power Unit setup.**

The standard 208-240 VAC Power Unit Hydraulic Hose setup is described in [Connect the Hydraulic Hoses](#).

If you ordered a 110 VAC Power Unit with the P-9000LT/F, then the Lift came with one Short Hydraulic Hose and two Long Hydraulic Hoses. These should be configured as shown below.



*Fittings shown not connected for clarity. Drawing not to scale.*

**Important:** The Hydraulic Hose Assemblies need to be installed up against, or very near to, the Hydraulic Cylinders.

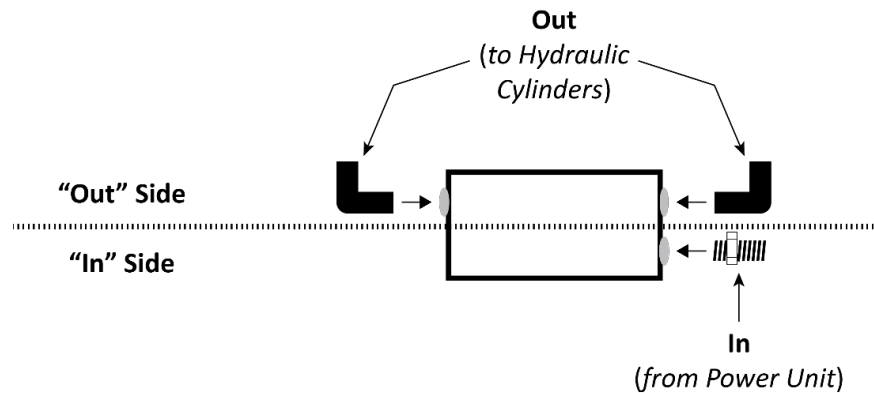
### To connect the Hydraulic Hoses:

1. If the Platforms are not already on their top Safety Locks, raise them now and engage them on their top locks. It is not possible to connect the Hydraulic Hoses if the Platforms are lowered.  
Refer to [Lift the Platforms Off the Bases](#) for additional information.
2. Locate the Flow Divider, Nipple Fitting, four Hydraulic Elbow Fittings, two Hydraulic Hoses, and two Hydraulic Line Assemblies.
3. **On the Power Unit**, attach a Hydraulic Elbow Fitting to **one of the two** Hydraulic Pressure Ports on the Power Unit; you can use either one.

---

Refer to the previous section for more information about the possible Port locations.

4. Connect the Short Hydraulic Hose to the Hydraulic Elbow Fitting you just attached.
5. **Switching to the Flow Divider**, connect the two **Out** Fittings to appropriate Ports (see the drawing below) and then connect the **In** Fitting to its Port.



*Not drawn to scale. Some components not shown. Fittings shown not connected for clarity.*

**NOTICE** The Ports for the two **Out** Fittings and the **In** Fitting may have colored plugs that need to be removed before you put the Fittings into place.

6. Connect the free end of the Short Hydraulic Hose to the **In** Fitting on the Flow Divider.
7. Connect the two Long Hydraulic Hoses Elbow ends to the two **Out** Fittings on the Flow Divider.
8. **Switching to the Hydraulic Cylinders**, remove the Shipping Plugs from the Hydraulic Ports near the bottom of each Hydraulic Cylinder.
9. Attach a Hydraulic Elbow Fitting to each of the Cylinder Ports; use Liquid Thread Sealant on the NPT threads **only**.
10. Attach the Long End of the Hydraulic Line Assembly (5215466) to the Elbow Fitting (5570086) you just attached, then attach a Nipple Fitting (5570095) to the other end of the Hydraulic Line Assembly.

**CAUTION** When installing the Hydraulic Hose Assemblies, make sure they are angled so they end up against or very near to the Hydraulic Cylinders, not standing straight up.

11. Take the free Straight Fitting end of the Long Hydraulic Hoses 5570040, route them through the Retaining Rings in the corners of each Base, and up to the Nipple Fittings (attached to the Hydraulic Hose Assembly); attach the Hose appropriately.
12. Verify both Hydraulic Hoses are correctly routed and do not have any kinks and will not bind or become trapped in the Lift mechanism, then use appropriate tools to **securely** tighten all connections.

Technical support and service is available from your dealer, on the Web at [bendpak.com/support](http://bendpak.com/support), by email at [support@bendpak.com](mailto:support@bendpak.com), or by phone at **(800) 253-2363**, extension 196. You may also contact BendPak for parts replacement information (please have the model and serial number of your unit available) at **(800) 253-2363**, extension 191.