
BendPak Technical Service Bulletin
Power Unit Wiring 3-Phase

BendPak TSB 112-032023



**Read this Technical Service Bulletin *before* connecting
this Hydraulic Power Unit to the electrical service!**

BendPak Technical Service Bulletin

Power Unit Wiring 3-Phase

BendPak TSB 112-032023

The purpose of this Technical Service Bulletin is to detail the electrical wiring connections for the installation and operation of hydraulic power units 5585229 and 5585247 using 3-Phase power at 190/208-220VAC or 380/460VAC. Both Power Units are wired identically.

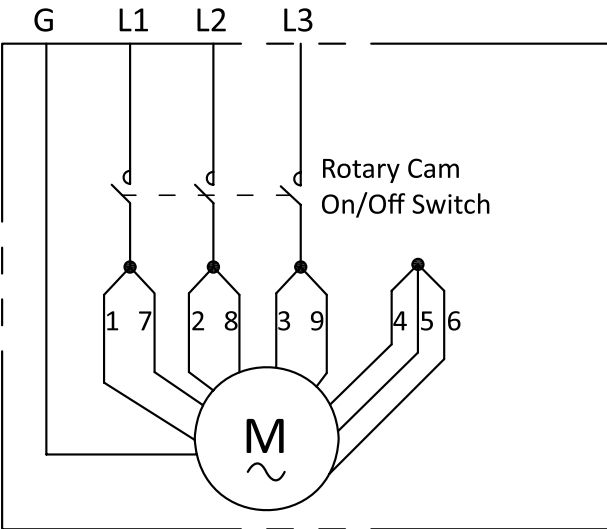
⚠ DANGER

All wiring **must** be performed by a licensed Electrician. Do not perform any maintenance or installation on the Lift without first verifying that main electrical power has been disconnected from the Lift and cannot be re-energized until all procedures are complete. The Lift uses electrical energy; if your organization has Lockout/Tagout policies, make sure to implement them after connecting to a power source.

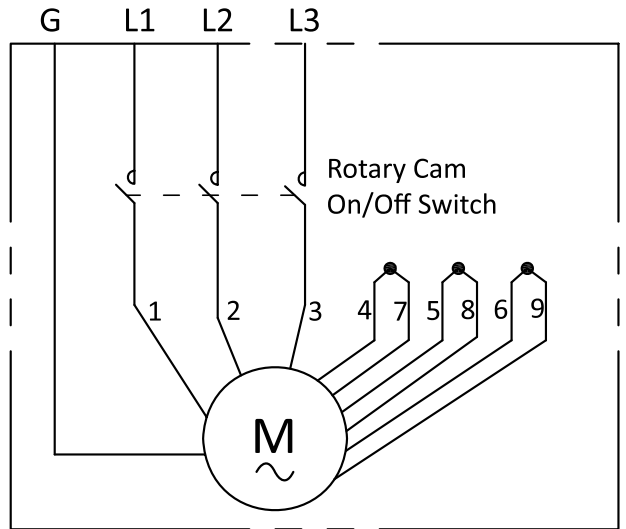
Important:

The Electrician must install a Power Disconnect and Thermal Disconnect in accordance with NEC rules. These components are not supplied with the power unit. Wire the power units based on supply voltage and the wiring diagram detail below. Make clear to your Electrician that all electrical work **must** conform to applicable local, state, and federal electrical codes, rules, and regulations.

Power Unit 5585247 or 5585229
190/208-230VAC, 3 Phase, 50/60 Hz., 3 HP



Power Unit 5585247 or 5585229
380/460VAC, 3 Phase, 50/60 Hz., 3 HP



⚠ WARNING

Do not operate the Lift if there are electrical or maintenance problems; instead, take the Lift out of service, then contact the dealer, visit bendpak.com/support, email support@bendpak.com, or call **(800) 253-2363**.



1645 Lemonwood Drive
Santa Paula, CA 93060 USA