

BendPak Technical Service Bulletin

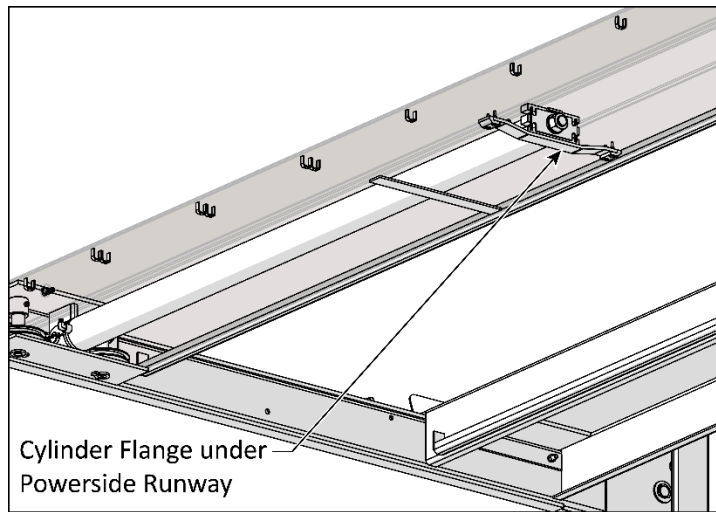
HDS-14 and HD-14T – Cylinder Flange Arm Slides Replacement

BendPak TSB 107-012023

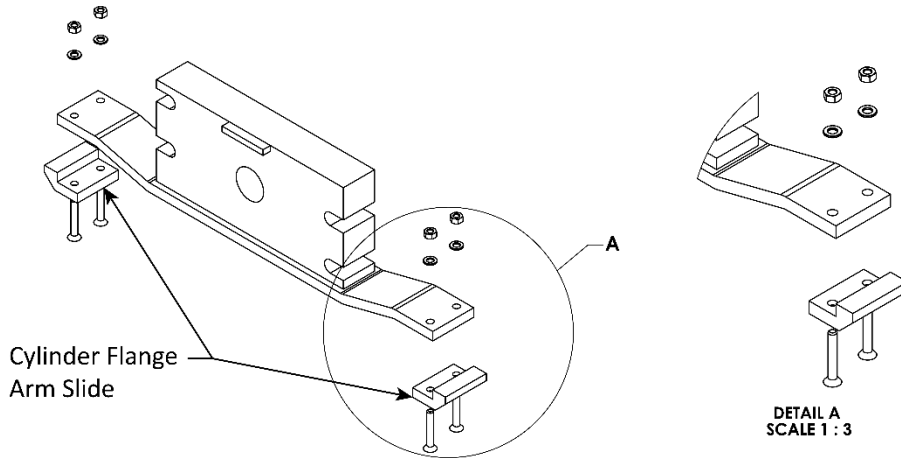
The purpose of this Technical Service Bulletin is to provide guidance in the removal and replacement of the two Cylinder Flange Arm Slides on Lift Models HDS-14 and HD-14T. The Hydraulic Cylinder drives the Cable Retainer mounted to the Flange and its Arm Slides in a linear path under the Powerside Runway. The Slides, currently installed, interfere with this linear motion. These currently installed Slides (5716006) must be removed and replaced with the replacement Slides (5716092) accompanying this Technical Service Bulletin. Refer to the procedure and figures below.

To remove and replace the Cylinder Flange Arm Slides:

1. Locate the Cylinder Flange on the underside of the Powerside Runway.

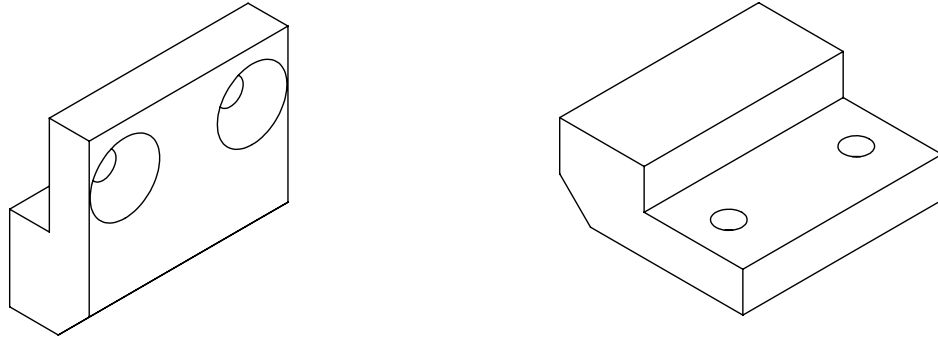


2. Remove and retain the four M6 Phillips flat head machine screws, flat washers, and hex nuts securing both Slides.

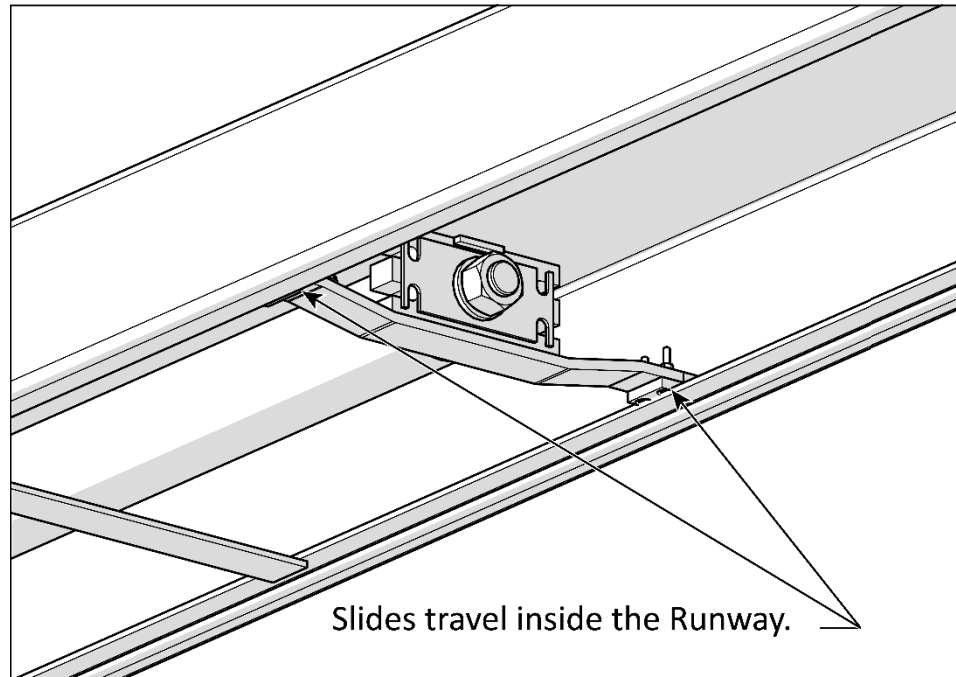


3. Discard the two Slides (5716006) just removed.

4. Install the replacement Slides (5716092) accompanying this TSB using the fasteners removed in step 2.



5. Verify the Flange and replacement Slides travel inside the Powerside runway without obstruction.



6. Continue the Lift assembly and verify Lift operation as described in the Installation and Operation Manual.

If you have questions about your BendPak Lift, go to **[Bendpak.com/support](https://www.bendpak.com/support)**, email **support@bendpak.com**, or call **(805) 252-2363** ext. 196.