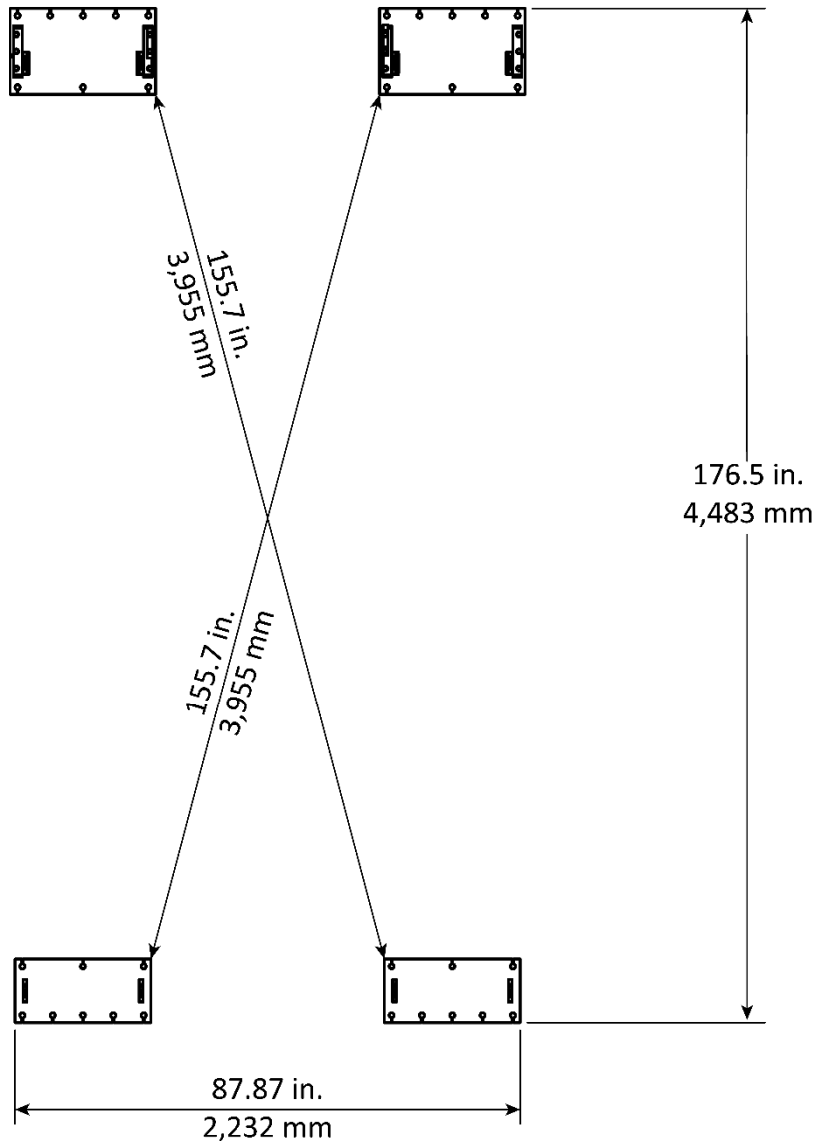


BendPak Technical Service Bulletin

XR-12000 – Base Plates - Outside Dimensions

BendPak TSB 106-012023

The purpose of this Technical Service Bulletin is to provide outside dimensions for the Base Plates on XR-12000 series Scissor Lifts. The Installation Manual will be updated with the graphic below detailing the dimensions as shown in this Service Bulletin. *Verify diagonal measurements are equal to ensure a square installation.* Refer to the figure below. Figure is not to scale.



If you have questions about your BendPak Lift, go to [Bendpak.com/support](https://www.bendpak.com/support), email support@bendpak.com, or call **(805) 252-2363** ext. 196.