

# MORE

ACCURACY • CONFIDENCE • PRODUCTIVITY

## DST30PX Wheel Balancer

SKU# 5140334



Includes **FREE** Wheel Weights

REDUCES LABOR COSTS  
AND SERVICE TIME

1-800-253-2363 • [www.BendPak.com](http://www.BendPak.com)

**Ranger**<sup>®</sup>

## One-Spin, Minimal Weight Placement

The DST30PX accurately and efficiently calibrates wheel and tire configurations while handling wheels up to a 43" diameter. It incorporates a precision 64-tooth magnetic transducer encoder, delivering exceptionally accurate wheel weight placement.

The larger encoder features precision-cut square teeth to convert rotary position to a digital electronic signal, quickly achieving maximum profile and top-dead-center positioning. As part of our ongoing mission to supply shops and garages of all sizes, we reduced the unit's footprint by narrowing the chassis.

## Direct-Drive

The Direct-Axis drive system helps keep the DST30PX running smoothly over time. A single belt connects the motor and unbalance sensor, eliminating most maintenance costs during your wheel balancer's many years of service.

## Highly Precise Digital Sensor Technology

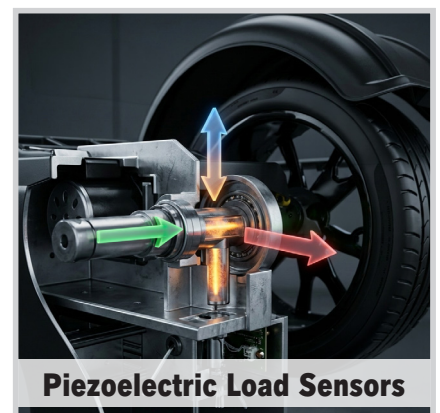
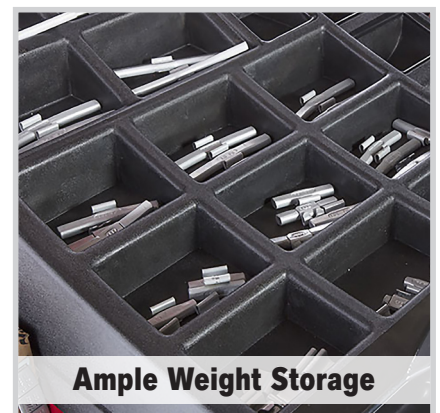
The DST30PX doubles the potential placement for wheel weights while maintaining a space-conscious and highly cost-effective shop solution. Dynamic, static and ALU balancing modes are standard on each unit, featuring dual plane calibration for all OEM configurations and performance wheels.

Ranger's proprietary Digital Sensor Technology leverages an advanced microprocessor with single-chip integration to optimize speed, accuracy, and overall balancing efficiency. OEM and performance wheels require this sort of sophisticated technology for proper balancing, so to ensure your balancer is fully capable of servicing these specialized wheel types, choose Ranger's DST30PX.

Single-chip circuit board architecture provides upgraded performance and reliability over multi-chip installations, (e.g., latency reductions, substantial boost in device throughput). A speedy, dedicated hyper transport protocol lets data communicate with the micro-processor at industry leading speeds. Single-chip boards are better at dissipating heat while using less power.

## Multi-Directional Quartz Piezoelectric Load Sensors

Dual-component piezoelectric quartz load sensors and digital rotation encoder measure longitudinal, transversal and shear effects for multi-directional force unbalance detection. The piezoelectric force sensors are the most sensitive sensors we have ever made, offering superior stability and fatigue resistance for unlimited service life with your wheel balancer. High-rigidity quartz crystal sensors offer high frequency detection in all three measured directions



## Quick and Precise Setup

A diverse arrangement of hardened-steel mounting collets lets you work with virtually all wheel types, including most light trucks and SUVs. A rubber “quick-nut” bell adapter, with a non-marring rear collet mount pressure cup, holds mounted wheels securely in place and is designed not to damage tires or wheels during balancing procedures.

## Mounting Collet Package

The DST30PX wheel balancer tooling package includes precision collets for cars, light trucks, and heavy-duty trucks. It comes standard with three collets covering 2"-2.75", 2.5"-3.25", and 3"-3.8", plus truck collets for 3.7"-4.4" and 4.5"-5" hub sizes. For larger applications, an optional double-sided centering Truck Collet Kit accommodates hubs from 4.75"-6.75". Put simply, Ranger wheel balancers handle a wide range of OEM and aftermarket wheel configurations.

## LED Rolling Wheel Weight Displays

Highly visible LED displays show you exactly where to place the weights in seconds flat. These LED indicators let you see weight positions when the mounted wheel is rolled top-dead-center. As mentioned, the DST30PX features an improved encoder wheel, which means the LED display on the DST30PX is more sensitive and more accurate than ever before.

## 64-tooth Encoder Improves Automatic Weight Optimization

The weight calculations on the DST30PX wheel balancer are more accurate than other units and twice as accurate, in fact! We've taken something great and made it even greater, allowing you to balance most tire and wheel configuration with the most precise placements possible. The 64-tooth magnetic transducer encoder offers more precise placement readouts by making it easier to achieve maximum profile and top-dead-center positioning. This means you use less weight and save more time, increasing your bottom line.

## Full-tilt Display Panel

We've taken the touch-pad display panel from other Ranger Wheel Balancers and raised it, tower-style, for the DST30PX. This design improvement offers more flexibility in how you work. The extended, fully adjustable display reduces screen glare and provides operators with a more precise, ergonomic experience.

## Tape Weight Feeder

The redesigned side shelf features an open-top tape weight feeder that keeps Ranger Quick-Peel™ adhesive weights organized, accessible, and ready to use. Improve workflow and reduce install time with faster, cleaner weight application.  
(Weights sold separately in bulk rolls.)

## Wheel Weight Starter Kit

When you buy any one of Ranger's wheel balancers, you get a starter set of wheel weights included with your purchase. The kit has one bulk roll of 100 silver adhesive steel tape weights and 100 black adhesive steel tape weights. We also include one starter box of mixed clip-on steel weights. Of course, additional weights can be purchased in these bulk packages at your convenience.



## ENHANCED FEATURES

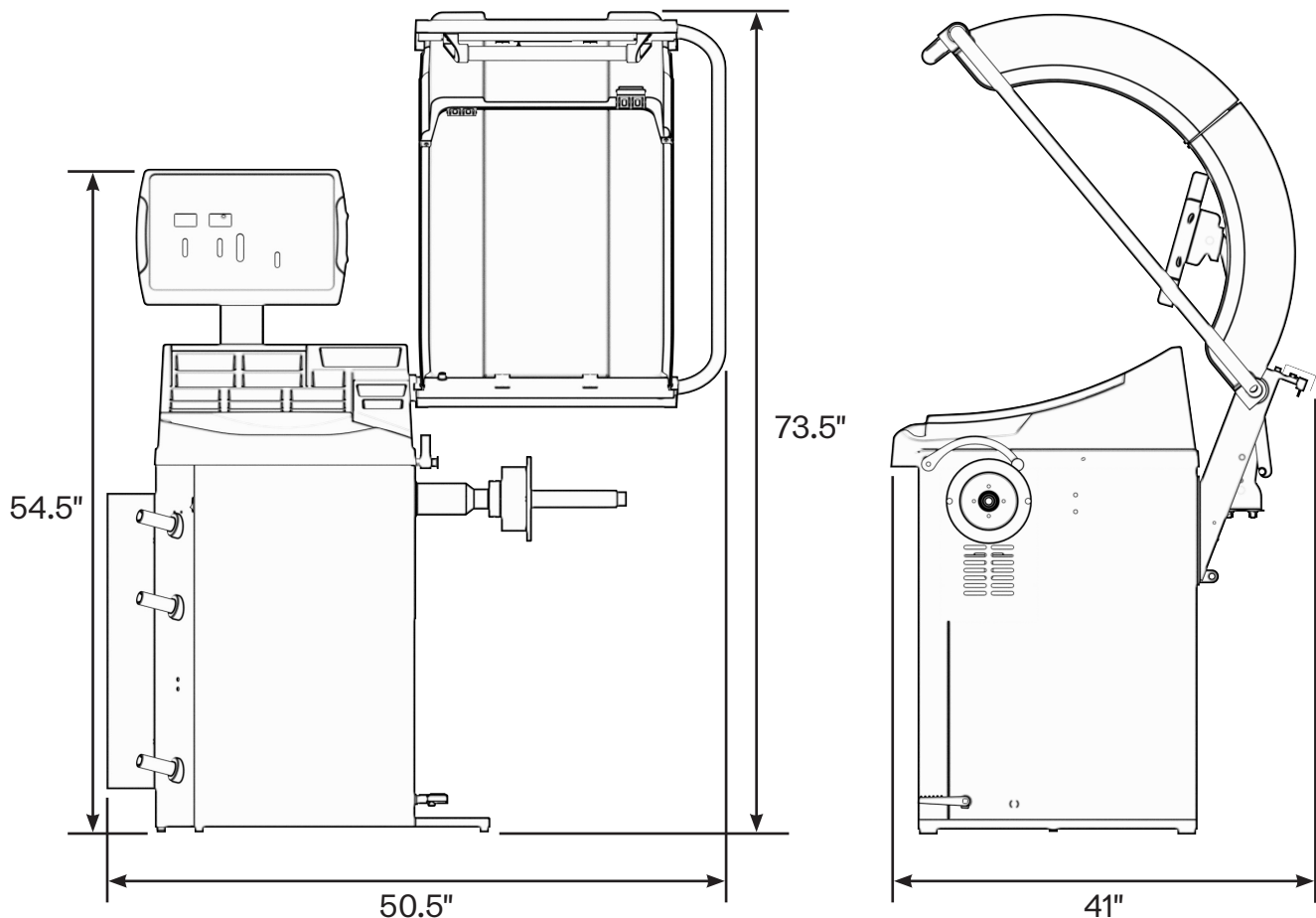
- **Dynamic, Static, and Performance Alloy** settings
- **A multi-user save function** with presets for productivity
- **Ergonomic controls and a clear LED display** with visual cues and keypad enhance efficiency, improve balancing accuracy, and reduce floor-to-floor times
- **Simple wheel data entry** for precise distance, diameter, and width measurements
- **Precise rolling wheel weight** readings display exact amounts, saving time and reducing errors.
- **Low RPM balancing speed** and rapid six-second cycle time
- **Automatic braking** & Self-calibration function
- **Gram/ounce selection** and millimeter/inch selection
- **Finer accuracy resolution** ( $\pm 1$  gram) for precise balancing of large tires
- **Automatic round-off** with top-dead-center weight position indicator
- **Tiered indicators guide** hidden weight placement, including split-weight and behind-the-spoke
- **Manual or automatic start** when the hood is lowered
- **High-volume top weight tray** and side shelf storage give you room to inventory a wide variety of wheel weights and tools
- **Newly designed side shelf** features an open-top design that accommodates Ranger Quick-Peel™ adhesive tape weight
- **A rugged 40 mm shaft** increases stiffness and accuracy for heavier wheels while supporting standard cones and accessories
- **Quick-release hub nut** for dramatically reduced set-up times
- **Side-position restraint pedal** holds wheels securely and accurately during weight installation procedures
- **Side collet storage pegs** keep accessories readily available
- **New “open-side” hood design** allows for a broader coverage of tire shapes and sizes
- **Reinforced chassis and hood** assembly for large-diameter tires
- **Improved vibration control** when balancing
- **Larger hood** accommodates oversized off-road and fleet tires without repositioning



# SPECIFICATIONS

Model	DST30PX Wheel Balancer
Voltage	115 - 230V, 50/60 Hz, 1 Ph*
FLA (amps)	7
Working Temperature	23°F to 104°F (-5°C to 40°C)
Tire Diameter	43" (1,093 mm)
Max. Wheel Weight	145 lbs. (66 kg)
Wheel Diameter Min - Max	12" to 30" (305 mm to 762 mm)
Wheel Width Min - Max	4" to 15" (102 mm to 381 mm)
Balancing Increments	0.25 oz. (5 grams)
Height, Hood Up	73.5" (1,867 mm)
Height, Hood Down	54.5" (1,385 mm)
Width	50.5" (1,283 mm)
Depth	41" (1,042 mm)
Unit / Shipping Weight	361 lbs. (165 kg) / 426 lbs. (194 kg)

\*Note: Standard electrical configurations shown. Additional voltage options available upon request.



# STANDARD ACCESSORIES

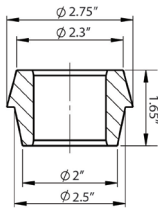
## Precision Collet Mounting for Increased Accuracy

Collets center wheels more precisely by engaging the hub bore, reducing imbalances caused by improper positioning. Traditional cones cover a wide range of sizes with fewer pieces but use steep angles that can compromise centering accuracy. Collets use flatter angles for a more exact fit. They also apply more even pressure across the hub, helping prevent damage while improving mounting consistency, balance accuracy, and reducing manual adjustments and human error.

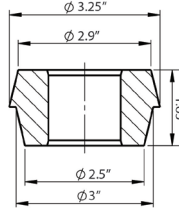


**ALL INCLUDED ACCESSORIES**

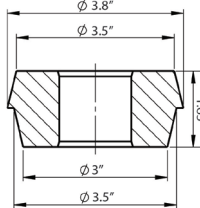
**2" - 2.75" Collet**



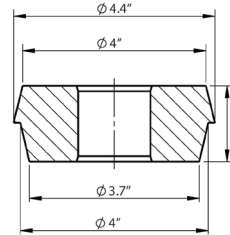
**2.5" - 3.25" Collet**



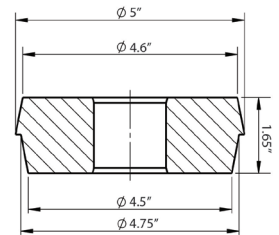
**3" - 3.8" Collet**



**3.7" - 4.4" Collet**



**4.5" - 5" Collet**



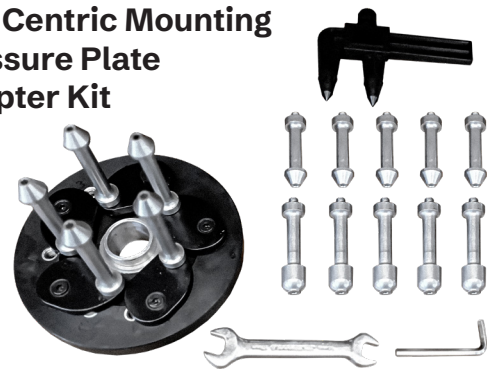
## OPTIONAL ACCESSORIES



**RWL175**  
175 lb Capacity  
Pneumatic Wheel Lift



**Lug-Centric Mounting Pressure Plate Adapter Kit**



**Adhesive Steel Wheel Weight COMBO Set**  
SKU 5150230

**SILVER Adhesive Steel Wheel Weights**  
SKU 5150220

**BLACK Adhesive Steel Wheel Weights**  
SKU 5150225

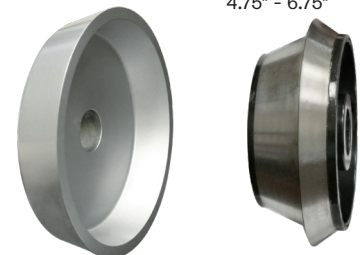


**Wheel Weight Dispenser Stand**  
Stand Only - SKU 5328502  
Stand Kit - SKU 5150028  
• Stand and Weights



**Truck Cone Kit**  
36mm - SKU 5150555  
40mm - SKU 5150032

• Double-sided centering cone fits hub sizes 4.75" - 6.75"



**Disclaimer:** Specifications, features, and options are subject to change without notice. Illustrations may show optional equipment or accessories sold separately. Maximum wheel sizes, weights, and capacities are approximate and may vary depending on wheel type, condition, and application. Always follow manufacturer guidelines and local safety regulations when operating equipment.