



AL9LC

2-Post Lift / 9,000-lb. Capacity / Floorplate

SKU# 5176250

THE ULTIMATE BLEND OF PERFORMANCE, SAFETY, AND VERSATILITY

Designed for both professional shops and serious home mechanics, the Apex AL9LC strikes the perfect balance of power, reliability, and efficiency. With a 9,000-lb. lifting capacity, this versatile two-post lift is built to handle anything from nimble compact cars to full-size pickups. Its dual symmetric and asymmetric lifting options let you position the arms exactly where you need them, making it easy to tackle a wide range of vehicles with confidence. Whether you're wrenching on a daily driver or a weekend project, the AL9LC delivers pro-level performance without compromise.

The low ceiling floorplate design is designed to maximize overhead clearance by eliminating the restrictive top crossbar. This means you get full lifting capability for taller vehicles without worrying about height interference. Perfect for garages with low ceilings, this design keeps your workspace open while delivering the 9,000-lb. lifting power you need. Upgrade to the AL9LC floorplate lift and get the flexibility your shop demands.



 **9K lb. CAPACITY**

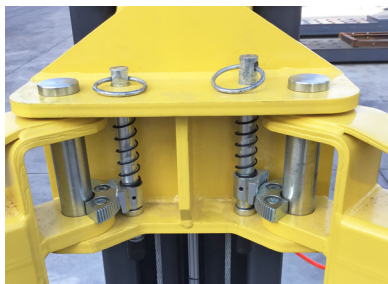
TIRED OF WASTING TIME POSITIONING VEHICLES?

Getting a vehicle properly positioned on a two-post lift can be a hassle—but the Apex AL9LC takes the guesswork out of the equation. Triple-telescoping front arms and dual-stage extended rear arms provide exceptional reach, making it easy to lift everything from low-slung sports cars to full-size trucks. Double-telescoping screw pads and a 4-piece stackable adapter set ensure rock-solid contact with virtually any frame design, giving you the stability and confidence to work on any vehicle like a pro.

BUILT FOR SAFETY AND STABILITY

A reliable lift is one that keeps both you and your vehicle protected. The AL9LC is equipped with automatic safety locks that engage every three inches, ensuring rock-solid security throughout the lift range. Designed for trouble-free operation, these locks release effortlessly via single-pull lanyards on each carriage, providing maximum safety without unnecessary complexity.

For added security, automatic arm restraints secure the arms in place when the lift is raised, preventing unintended movement during service.



POWER AND DURABILITY YOU CAN TRUST

Designed to handle the rigors of daily shop use, the Apex AL9LC is built tough with high-strength steel and reinforced components for unmatched durability. Its 6" x 6" tubular steel carriage delivers superior load-bearing strength, while the electric-hydraulic power system keeps operation smooth, quiet, and efficient. Stability is key, and the oversized 20.5" x 15.5" base plates ensure even weight distribution, so you get rock-solid lifting performance you can trust—day in, day out.

LOW MAINTENANCE, HIGH PERFORMANCE

The AL9LC is built on a proven chain-over design, utilizing an industrial-grade leaf chain engineered for extreme durability and strength. Manufactured to ANSI standards and engineered for demanding lifting applications, this heavy-duty chain is extremely durable and resistant to wear, ensuring it can withstand serious loads and frequent use. Unlike other systems that stretch or degrade over time, the AL9LC is built for longevity, maintaining its integrity even under high stress and repeated lifting cycles.

Adding to its durability, the AL9LC features oversized heavy-duty rollers with Zerk grease fittings—a premium upgrade that sets it apart. These rollers are long-lasting, self-lubricating, and incredibly easy to maintain, virtually eliminating premature wear with minimal care. The combination of high-strength chain and precision-engineered rollers significantly increases the working load capacity and shock resistance of the lift, ensuring smooth, consistent performance in even the most demanding environments.

36-MONTH WARRANTY FOR PEACE OF MIND



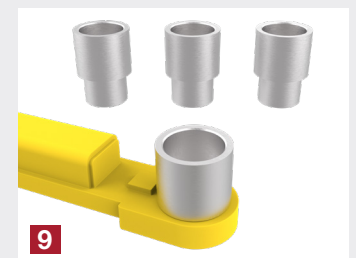
When you invest in the Apex AL9LC, you're backed by BendPak's industry-leading 36-month warranty, covering structural components and craftsmanship. With BendPak's renowned customer support and a nationwide network of service providers, expert assistance is always within reach.

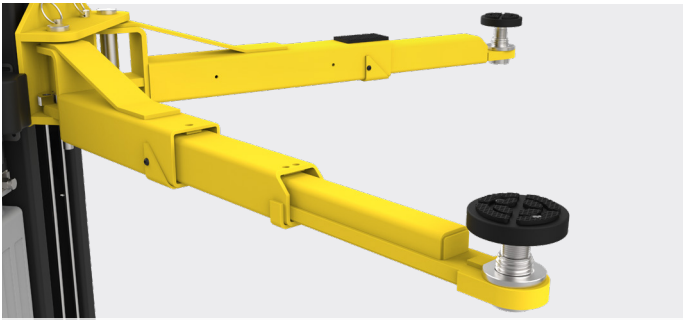
This isn't just a lift—it's a long-term investment in your shop's efficiency, safety, and productivity. You work hard, and you need equipment that works just as hard as you do.



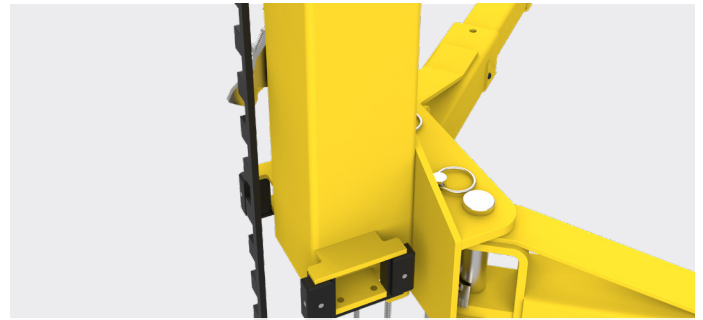
FEATURES

- 9,000-lb. lifting capacity
- 1** Symmetric and asymmetric arm design for enhanced versatility
- 2** Triple-telescoping front arms & dual-stage extended rear arms
 - Heavy-duty, high-strength leaf chain engineered for reliable lifting power and durability.
- 3** Heavy-duty 6" x 6" tubular steel carriage for maximum strength
 - Electric-hydraulic power system for effortless operation
- 4** Oversized 20.5" x 15.5" base plate for increased stability
 - Self-lubricating UHMW polyethylene guide blocks for long-lasting durability
- 5** Safety locks in each column spaced every 3 inches
 - Automatic arm restraints for enhanced safety
- 6** Heavy-duty 1/2" aircraft-quality equalizer cables
 - Oversized cable sheaves to reduce cable fatigue
- 7** Double-telescoping screw pads feature tear-resistant polyurethane for long-lasting durability
- 8** Full size rubber carriage guard reduces door dings
- 9** 4-piece 63mm stackable adapter set included
- 10** 10-piece concrete wedge anchors included
 - 36-month limited warranty

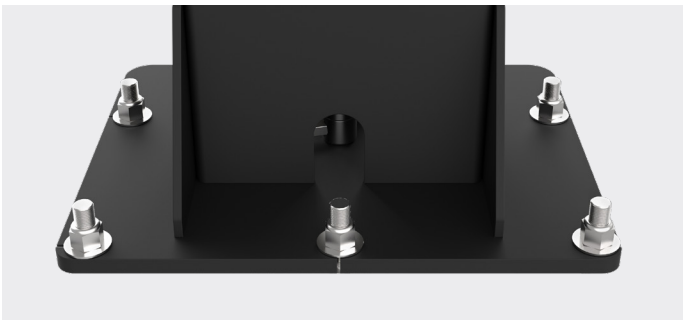




Triple-Telescoping front arms & dual-stage extended rear arms



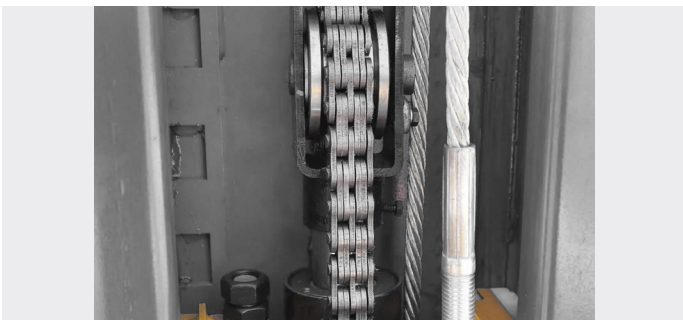
Heavy-Duty 6" x 6" tubular steel carriage for maximum strength



Oversized 20.5" x 15.5" base plates for increased stability



Automatic arm restraints for enhanced safety



Heavy-duty, high-strength chain built to withstand rigorous use



Double-telescoping screw pads feature tear-resistant polyurethane non-slip pads



4-piece 63mm stackable adapter set included



Full size rubber carriage guard reduces door dings

SPECIFICATIONS

MODEL	AL9LC
Lifting Capacity	9,000 lbs. (4,082 kg)
Max. Capacity / Front Axle	4,500 lbs. (2,045 kg)
Max. Capacity / Rear Axle	4,500 lbs. (2,045 kg)
A - Height Overall (*)	109.5" (2,781 mm)
B - Width Overall (at Baseplate)	137.25" (3,486 mm)
C - Width Outside of Columns	127.5" (3,238 mm)
D - Floor To Driveover Height	1.25" (30 mm)
E - Width Inside Columns	113.5" (2,880 mm)
F - Front Arm Reach (Min.)	22.5" (571 mm)
F - Front Arm Reach (Max.)	43.25" (1,099 mm)
G - Rear Arm Reach (Min.)	33.5" (845 mm)
G - Rear Arm Reach (Max.)	53.25" (1,353 mm)
H - Min. Pad Height	3.9" (100 mm)
I - Rise	70" (1,778 mm)
J - Max. Lift H. (Pad + 63mm Adapt.)	76.5"-78.5" (1,943-1,994 mm)
K - Drive-Thru Clearance	103" (2,618 mm)
Screw Pad Adjustment	2" (51 mm)
Motor (**)	220 VAC / 60Hz / 1 Ph
Time of Full Rise	65 seconds
Max. Load Per Arm	2,250 lbs. (1,023 kg)
Shipping Weight	1,385 lbs. (630 kg)

* To top of cylinder when lift is raised to max height.

** Special voltages available upon request.

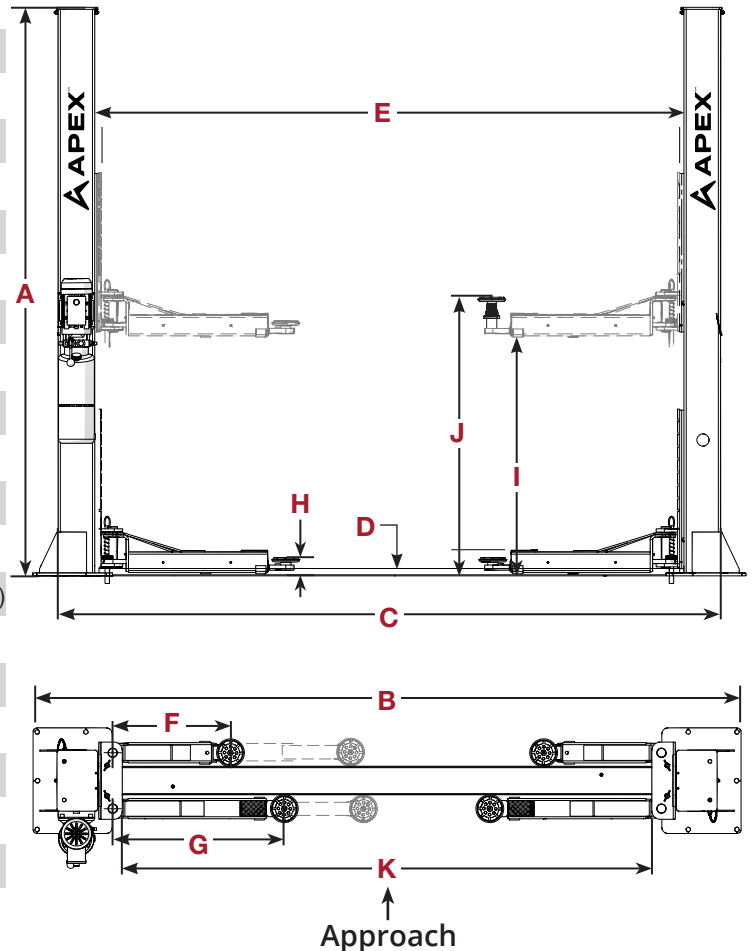
The design, material and specifications are subject to change without notice.

DISCLAIMER

Apex by BendPak makes no promises, guarantees, or assurances that this product meets any state, county, federal, or international mandated permit, license, code, standard, certification, or any other mandate, including the standards prescribed by ANSI/ALI ALCTV-(current edition) or ANSI/UL 201. Consult www.autolift.org for a complete list of lift models that meet ANSI/ALI ALCTV-(current edition) or ANSI/UL 201, or contact BendPak via contact@bendpak.com.

Buyer assumes full responsibility for any state, county, federal, or international mandated permit, license, code, standard, certification, or any other requirement related to the installation and/or operation of this product. Apex by BendPak will not be responsible for any charges, fines, liens, or other levies imposed on the Buyer related to any special or regional structural, seismic, or other building codes, including but not limited to the Uniform Building Code (UBC), International Building Code (IBC), or any other state, county, federal, or international mandated permit, license, code, standard, certification, or directive issued by any agency, government, administration, or corporation.

**OFTEN IMITATED,
NEVER DUPLICATED**



OPTIONAL ACCESSORIES



**Frame Cradle Pads
Set of 4** SKU 5210573



**Tall Adapters
Set of 4** SKU 5210535

UPGRADE YOUR SHOP TODAY!

Don't waste time with outdated, high-maintenance lifts. The AL9LC is designed for efficiency, strength, and reliability, making it the perfect choice for professional mechanics, performance tuners, and serious DIYers.

Order now at BendPak.com and experience the Apex difference!