



ERGO-JET ERGO-SCOOT ERGO-RS



1-(800)-253-2363 • Bendpak.com/ergochair

© 2023 BendPak Inc. All rights reserved. Patent Pending.

ERGO-RS

SKU# 5215988



OVERVIEW

The Ergo-RS adjustable-height rolling work seat makes performing awkward tasks easier and safer. Designed for technicians who must lie down, bend, or contort their bodies to perform repetitious work, the Ergo-RS is the perfect solution for automotive and aircraft mechanics as well as assembly line workers. The Ergo-RS moves smoothly in all positions whether raised, reclined, or lowered. The Ergo-RS can relieve stresses on your back and body while you work.

FEATURES

- 350-Pounds Rated Capacity
- Shock-Absorbing & Quiet Rolling Wheels
- Heavy-Duty Non-Slip Textured Marine-Grade Vinyl
- Comfortable Thick Padded Seat and Backrest
- Heavy-duty Ball-Bearing TPR Swivel Casters
- No Assembly Required
- Multiple Locking Heights
- Powder Coated Welded-Steel Tubular Frame



1-(800)-253-2363 • Bendpak.com/ergochair

© 2023 BendPak Inc. All rights reserved. Patent Pending.

VERSATILITY MEETS COMFORT

REDUCE FATIGUE

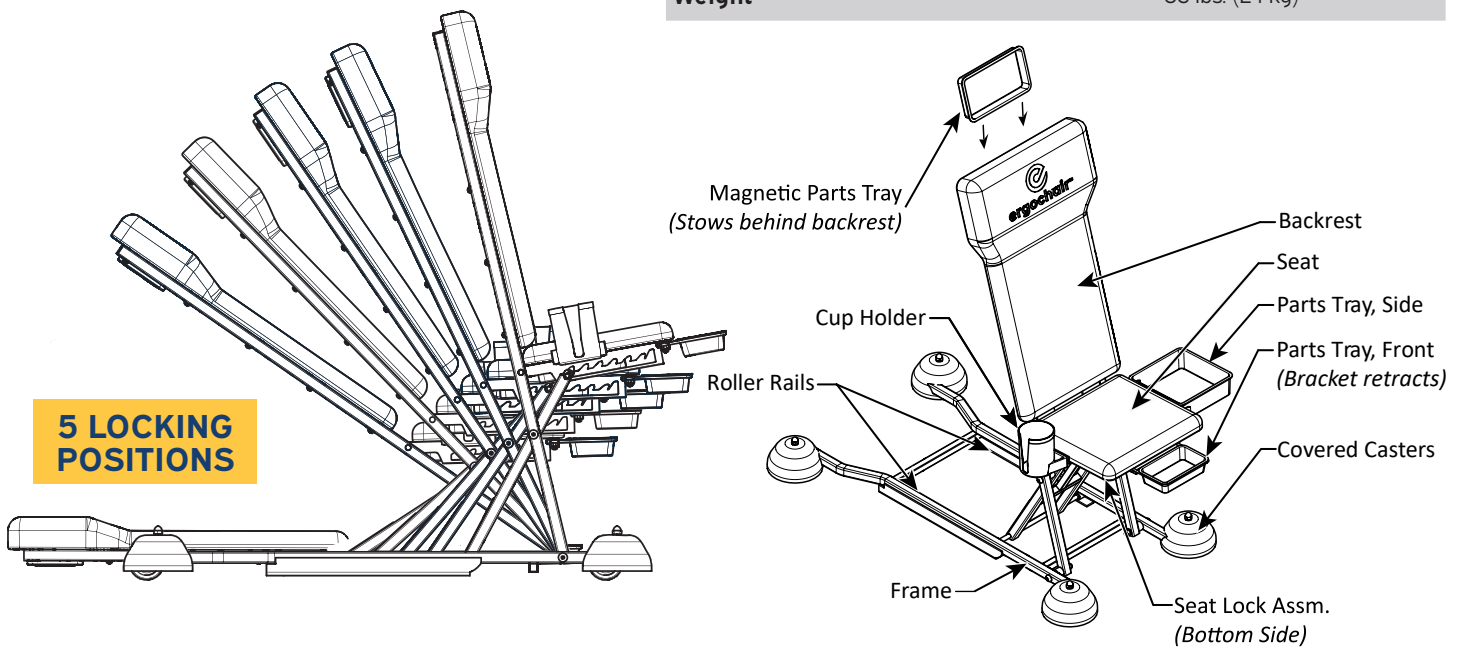
The Ergo-RS functions both as a chair and creeper featuring four swivel caster wheels that ensure stability and a full range of mobility. The Ergo-RS can move smoothly in all positions whether raised, reclined or lowered greatly relieving the stress on your back and other parts of your body while working.

The Ergo-RS, with an adjustable seat height and backrest allows a range of motion vertically and horizontally. The Ergo-RS provides comfortable support while you move and work throughout the day keeping your mind and body fresh and focused.

Leading companies understand that investments in employee wellness, which includes ergonomic engineering, will result in productivity benefits. Regardless of size, the Ergo-RS can be a worthwhile investment for all organizations.



Capacity	350 lbs. (159 kg)
Seat Height	5 in. to 21 in. (127 mm to 533 mm)
Overall Upright Height	48.75 in. (1,238 mm)
Overall Lowered Height	4.9 in. (124 mm)
Overall Lowered Length	56 in. (1,422 mm)
Overall Upright Length	51.8 in. (1,315 mm)
Shipping Dimensions	56 in. x 30 in. x 6 in.
Caster Diameter	3 in. (76 mm)
Number of Casters	4
Overall Width	28 in. (711 mm)
Weight	53 lbs. (24 kg)



ERGO-SCOOT

SKU# 5160118



OVERVIEW

The Ergo-SCOOT is the latest addition to the Ergochair lineup, and much like the other models, it's a fantastic choice when you need to get hard work done, comfortably. This reclining low-profile creeper seat provides enhanced mobility on a stable platform as you work on, around, and under vehicles.

FEATURES

- Thermoplastic rubber wheels that are resistant to chemicals, acids, alcohol, and water
- Wide, large diameter wheels ease travel over rough surfaces.
- Heavy-duty non-slip textured marine-grade vinyl
- Comfortable thick, padded seat and backrest
- Heavy-duty ball-bearing TPR swivel casters
- Spring loaded backrest
- Four seat height positions
- Gas spring height adjustment
- Locking pins adjust seat height from 14 to 18-inches off the ground.
- Rated to 350-pounds maximum capacity.

ENHANCES EFFICIENCY

The Ergo-SCOOT has been designed to accommodate operators of all kinds, whether you work in the automotive industry or as an airplane mechanic. Sporting a thick padded seat, this comfortable rolling work seat offers a full range of mobility, thanks to its sturdy casters. Adjustability is the name of the game with the Ergo-SCOOT. A gas spring supports the backrest and allows you to work in positions ranging from $\approx 5^\circ$ to 60° , and if you need even more space be sure to check out the Spacer Kit which will increase the ground clearance to ≈ 1.2 in. / 30 mm.



5° TO 60°
RANGE



350 lbs.
CAPACITY



IMPROVE
POSTURE



THICK
PADDED
SEATS

When it comes to manual labor, good ergonomics is one of the most important aspects. When you invest in healthy ergonomics, you're investing in your employees' health. You're making sure that workers stay productive, happy, and in great shape. By reducing back and neck pain and minimizing time in awkward positions, the ERGO-SCOOT enhances efficiency and the overall wellness of your employees.

**MULTIPLE
WORKING
POSITIONS**

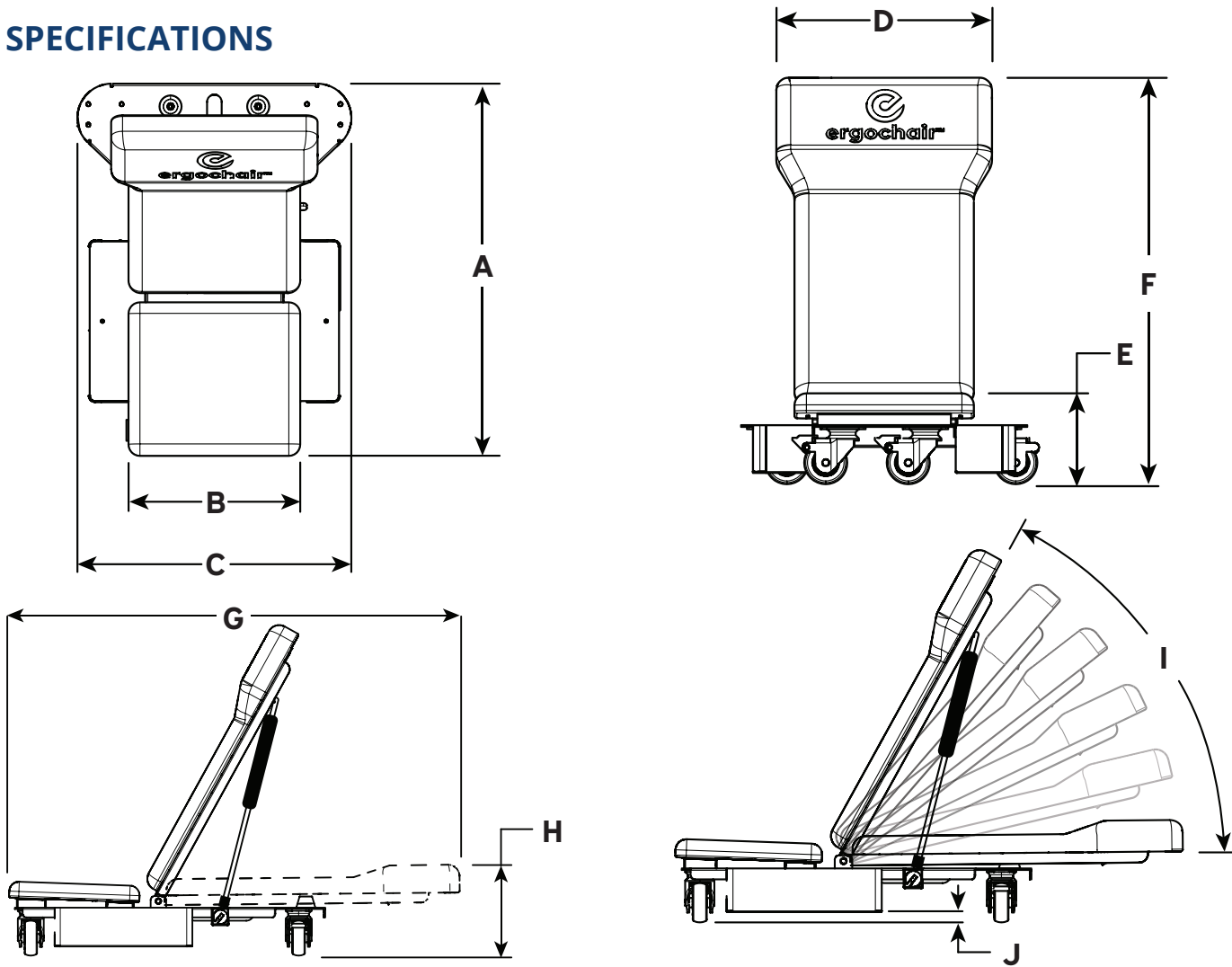


1-(800)-253-2363 • Bendpak.com/ergochair

© 2023 BendPak Inc. All rights reserved. Patent Pending.

ELEVATE COMFORT, ENHANCE PRODUCTIVITY

SPECIFICATIONS



A	Length (backrest up)	32 in. (813 mm)
B	Seat Width	14.8 in. (376 mm)
C	Max. Width	23.6 in. (600 mm)
D	Headrest Width	17.75 in. (451 mm)
E	Seat Height	* 6.75 in. (175 mm)
F	Height (backrest up)	* 31.5 in. (800 mm)
G	Length (backrest down)	45.7 in. (1,160 mm)
H	Height (backrest down)	* 9.5 in. (241 mm)
I	Backrest Angle	≈5° to ≈60°
J	Ground Clearance	* 1.6 in. (41 mm)

Ergo-SCOOT Weight: 87 lbs. / 39.5 kg.

Backrest Adjustment Angle: 0° to ≈60°

Backrest Locking Mechanism: Gas Spring

Casters: Four 360° Casters (2 locking), Ø75 mm x 25 mm, sleevebearings, oil resistant, non-marking rubber wheels

Seat Materials: Padded Marine Vinyl Backrest and Seat. Marine Vinyl is abrasion, chemical and oil resistant

Frame Materials: Full powder coated, welded tubular steel

Tool Box inside dimensions: 13.75 x 4.6 x 3.75 in. / 349 x 117.4 x 95.2 mm

* Measurements exclude risers

ERGO-JET

SKU# 5160112



OVERVIEW

When it's time to get to work, set yourself up for success with the Ergo-JET. Horizontal and vertical arm adjustment allows you to work whichever way feels the most comfortable, and the Ergo-JET is equipped with adjustable gas springs which allows you to work at your preferred level. Four swivel casters ensure that you maintain stability while gaining a full range of mobility. With a minimal footprint, you're able to enjoy all the benefits that come with an adjustable, rugged workstation.

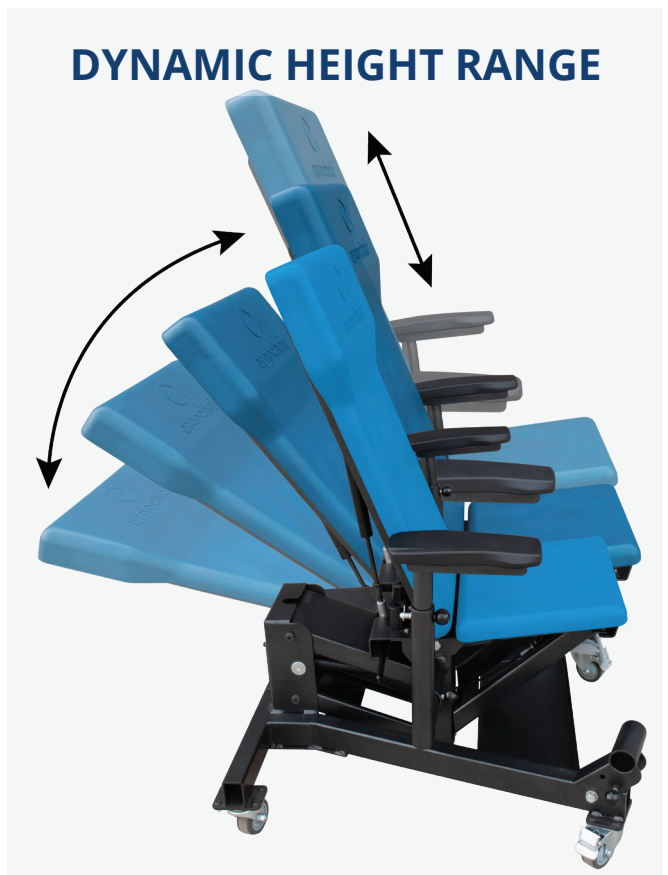
Your back and neck shouldn't have to pay for your hard work, and with the Ergo-JET you won't have to. Built for demanding environments, this rolling work seat also features a handy tool tray, so you have what you need within reach. Your body and mind will stay fresh when you're working in comfort. Take productivity and efficiency to the next level with the Ergo-JET.



FEATURES

- Thermoplastic rubber wheels are resistant to chemicals, acids, alcohol, and water
- Wide, large diameter wheels improves rolling over rough surfaces
- The comfortable thick padded seat and backrest are constructed of heavy duty non-slip marine grade vinyl.
- Horizontal and vertical arm adjustment
- Adjustable footrests for more leverage
- Locking casters
- Adjustable air spring for multiple positions
- Rated to 350-pounds maximum capacity

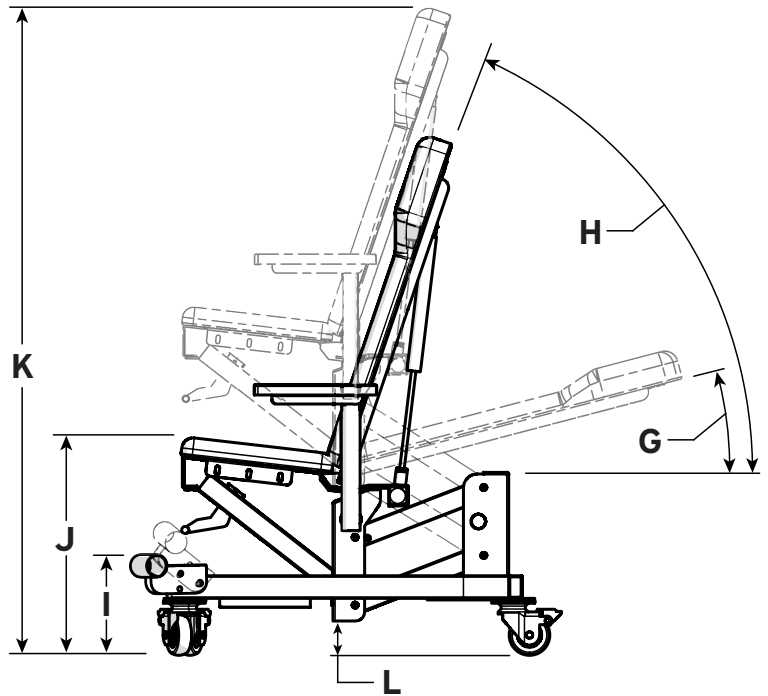
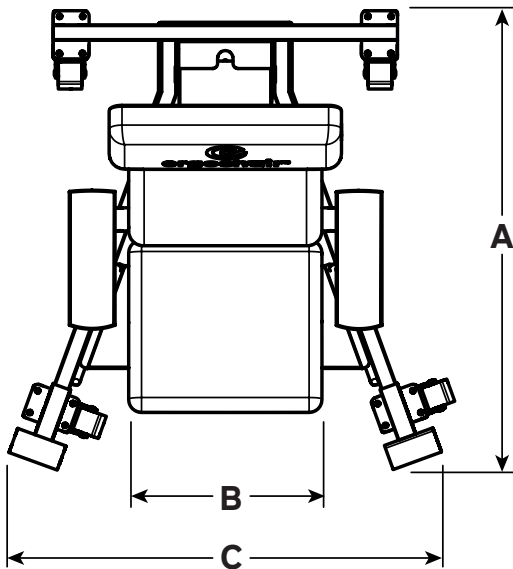
DYNAMIC HEIGHT RANGE



1-(800)-253-2363 • Bendpak.com/ergochair

© 2023 BendPak Inc. All rights reserved. Patent Pending.

WORK SMARTER, NOT HARDER



Weight: 158.7 lbs. (72 kg.)

Backrest and Seat Adjustment: Gas Spring

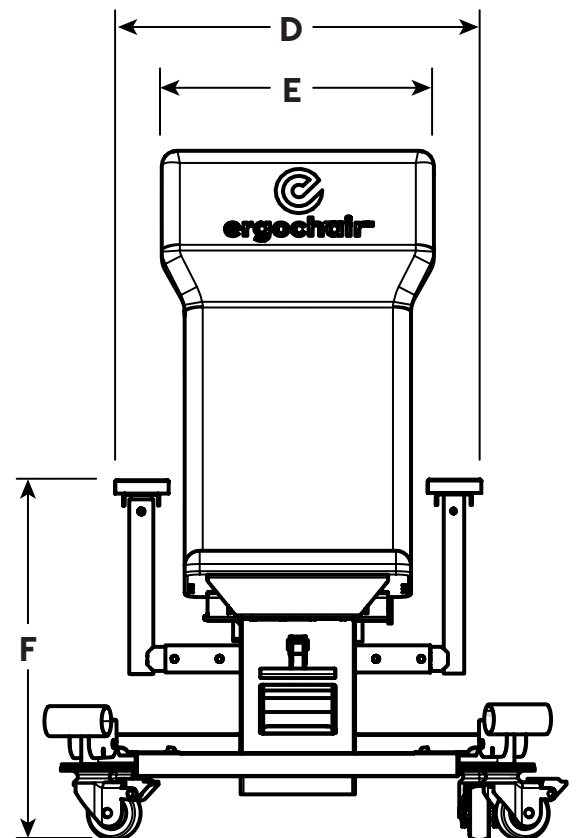
Casters: Four 360° Casters (2 locking), Ø75 mm x 25 mm, sleeve bearings, oil resistant, non-marring rubber wheels

Seat Materials: Padded Marine Vinyl Backrest and Seat. Marine Vinyl is abrasion, chemical and oil resistant

Tool/Parts Tray: Rugged steel tray for tools and parts. 1.25 in. (32 mm) deep.

Frame Materials: Full powder coated, welded tubular steel

A Length	32.25 in. to 47 in. (894 mm to 1,194 mm)
B Seat Width	14.8 in. (376 mm)
C Width	33.5 in. (850 mm)
D Arm Rest Width	24 in. to 29 in. (610 mm to 737 mm)
E Headrest Width	17.8 in. (452 mm)
F Arm Rest Height	27 in. to 36.5 in. (686 mm to 927 mm)
G Min. Backrest Angle	≈15°
H Max. Backrest Angle	≈60°
I Foot Rest Height	8.5 in. to 11 in. (216 to 279 mm)
J Seat Height Range	18.75 to 26.75 in. (476 to 679 mm)
K Backrest Height	43.75 to 51.75 in. (1,111 mm to 1,314 mm)
L Ground Clearance	2.5 in. to 4 in. (63.5 mm to 10 mm)





1-(800)-253-2363 • Bendpak.com/ergochair

© 2023 BendPak Inc. All rights reserved. Patent Pending.