

XR-12000A

BendPak®

Alignment Lifts

SKU# 5175750

12,000 Lb. Capacity / Quatra™ Pantograph Alignment /
Extended / Includes Turnplates and Slip Plates

Questions? Contact BendPak's Sales Team

sales@bendpak.com | 1-800-253-2363

Monday - Friday, 7AM to 4:30PM PST

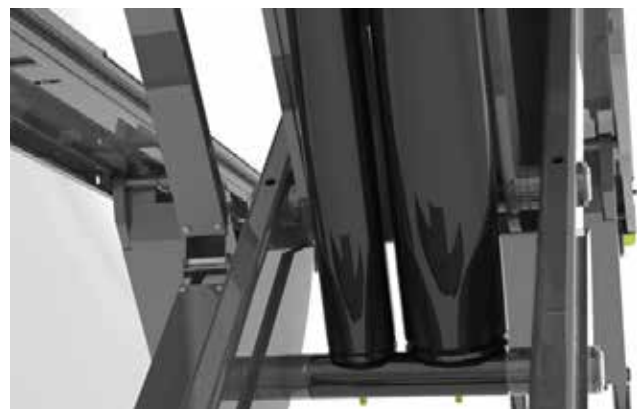
BendPak Quatra Alignment Lift

The BendPak Quatra™ [alignment lift](#) is the next evolution in industrial strength lifting technology. 12,000 lbs. of true vertical lifting power for a more compact footprint will better accommodate smaller service bays and work areas. At the same time, the unique quad-opposing scissor design eliminates restrictive arm structures found on other scissor lifts, giving the technician an unprecedented freedom of movement beneath the lift. The XR-12000A provides you full, unobstructed vehicle access and effortless workspace entry and exit. More space means more freedom and efficiency than you thought possible beneath an alignment car lift.



Features

- Extended runway design for greater vehicle capacity
- Integrated recessed full-floating front radius plates and over-sized rear slip-plates
- Turn plate pockets feature adjustable leveling bolts for infinite turn plate leveling
- Durable powder-coat finish that can withstand harsh environments and chemical spills
- Extendable, hinged, collapsible, and stowable ramps
- Multi-position runway work steps
- Non-skid runways provide sure grip for vehicles
- Dependable electric/hydraulic power system
- Cylinders feature integrated velocity fuses to control sudden descent
- Power console features simple operator controls
- Open front design with clear center, sides and rear
- Multi-position automatic leveling system
- Quad automatic safety locks with pneumatic release
- Collapsible front tire stops clear for low vehicle skirts and alignment instrumentation
- Lubricated-for-life bearings on all pivot points
- Rugged steel legs and formed steel runways

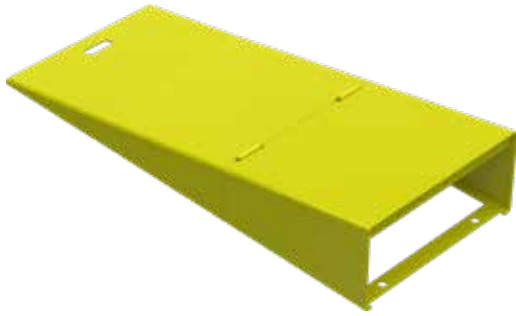


Note: An air supply (minimum: 30 psi / 3 CFM) is required for the safety-lock mechanisms to disengage. It is solely the responsibility of the end-user to provide, install and maintain the air supply.

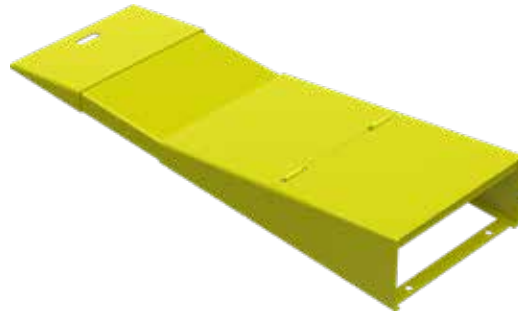
*Not all BendPak lift models meet the standards as prescribed by ANSI/ALI ALCTV-2017 or ANSI/UL 201. Consult www.autolift.org for complete listings or contact BendPak via contact@bendpak.com.

Specifications

BendPak®



COLLAPSED
56" (1,422 mm)



EXTENDED
79" (2,007 mm)

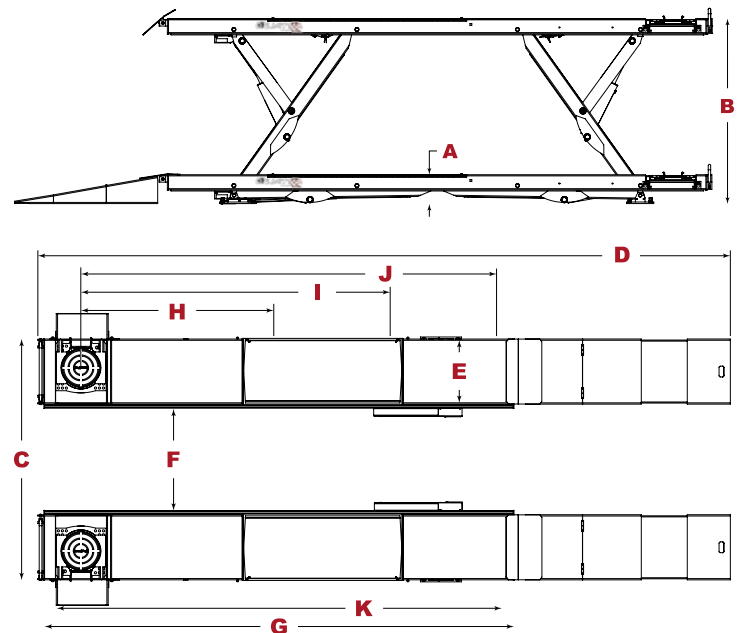


STOWED
22" (559 mm)

It's all in the approach

When it comes to positioning vehicles on the lift, there is no other auto lift on the market that makes it easier. Extendable, hinged, collapsible, and stowable approach ramps are an industry first. The extendable approach ramps deliver a range of motion from 59" all the way up to an incredible 76" overall length in mere seconds. Not only do these user favorites make it convenient to drive ground hugging cars on the lift, when space is tight, their collapsible and stowable design means you're able to close the shop doors at the end of the day.

Model	XR-12000A
Style	Scissors Alignment Lift
SKU#	5175750
Lifting Capacity	12,000 lbs. (5,443 kg)
A - Min. Runway Height	11.75" (298 mm)
B - Max. Lifting Height	75.25" (1,912 mm)
C - Overall Width	89.5" (2,274 mm)
D - Length / Ramps Extended	300.25" (7,626 mm)
D - Length / Ramps Collapsed	283.25" (7,201 mm)
D - Length / Ramps Stowed	250" (6,350 mm)
E - Runway Width	23.75" (604 mm)
F - Width Between Runways	40.5" (1,029 mm)
G - Length of Runways	219.5" (5,575 mm)
H - Min. 4-Wheel Alignment	87" (2,210 mm)
I - Max. 4-Wheel Alignment	160" (4,064 mm)
J - Max. 2-Wheel Alignment	194" (4,928 mm)
K - General Service Wheelbase	199" (5,055 mm)
Min. Wheelbase @ Capacity	155" (3,937 mm)
Min. Wheelbase @ 75% Capacity	135" (3,429 mm)
Min. Wheelbase @ 50% Capacity	110" (2,794 mm)
Min. Wheelbase @ 25% Capacity	90" (2,286 mm)
Locking Positions	14
Standard Motor	220 VAC / 60 Hz. / 1 Ph



Note: An air supply (minimum: 30 psi / 3 CFM) is required for the safety-lock mechanisms to disengage. It is solely the responsibility of the end-user to provide, install and maintain the air supply.

*Not all BendPak lift models meet the standards as prescribed by ANSI/ALI ALCTV-2017 or ANSI/UL 201. Consult www.autolift.org for complete listings or contact BendPak via contact@bendpak.com.