

XR-12000



Full-Rise Scissor Lifts

SKU# 5175745

12,000-lb. Capacity / Quatra™ Pantograph Scissors Lift / Standard Runways

Questions? Contact BendPak's Sales Team

sales@bendpak.com | 1-800-253-2363

Monday - Friday, 7AM to 4:30PM PST

Quatra™ Scissor Lift Offers 12K lbs. of Vertical Lifting Power

The Quatra™ specialty lift offers 12,000 lbs. of vertical lifting power. This amazing design permits easy, unobstructed access from the front, back and sides. Its post-free structure utilizes a sophisticated, quad-opposing [scissor car lift](#) design that's unlike anything else in the industry. The Quatra has virtually zero radial shift, so it fits well in compact or crowded spaces. There's nothing in the world of post-free service lifts that comes close to the BendPak Quatra.



Features

- 12,000-lb. lifting capacity.
- Durable powder-coat finish that can withstand harsh environments and chemical spills and will provide years of protection
- Extendable, hinged, collapsible, and stowable approach ramps
- Multi-position runway work steps
- Non-skid runways provide sure grip for vehicles and technicians
- Dependable electric/hydraulic power system
- Cylinders feature integrated velocity fuses to control sudden descent
- Power console features simple operator controls
- Open front design with clear center, sides and rear
- Multi-position automatic leveling system
- Quad automatic safety locks with pneumatic push-button release
- Collapsible front tire stops clear for low vehicle skirts
- Lubricated-for-life bearings on all pivot points
- Rugged steel legs and formed steel runways
- Turned, ground, polished and hardened zinc plated pins
- Grease nipples on all moving pins and bearings
- High efficiency hydraulic power unit provides faster raising and descent times
- Easy access to hydraulic/electrical components for simple routine servicing
- Easy to use and understand operator controls
- Power unit console with easy access front panel
- Can be flush mounted or recessed

Reliable balance and mechanical locking

The Quatra features zero radial shift, which is basically unheard of for a car lift that raises vehicles up to 12,000 lbs. Whereas parallelogram lifts need at least a little extra floor space to accommodate their lateral shift, the Quatra goes straight up-and-down. Additionally, the XR-12000 is equipped with an intelligent hydraulic regulating manifold. This device has four, two-position ball valves that create a balance of hydraulic pressure between the master and slave cylinders. This mission-critical system guarantees a level rise and descent at all times. Not only that, each ball valve is part of a mechanical lock system that lets you leave the Quatra raised indefinitely. The manifold valve assembly is found right on the power console. It also features a cover that can be removed for maintenance and other adjustments.

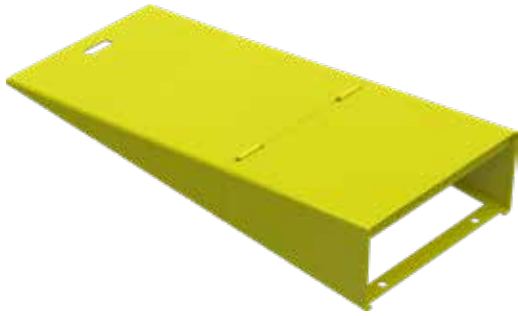
One-of-a-kind design

The Quatra benefits from an ergonomic design that helps operators raise and lower quickly and safely. The increase in productivity is obvious from the first time you lift a vehicle. The ability to get underneath a raised lift from any angle is unique for a scissor lift (although the Quatra is not a true scissor lift). The car lift rises and descends rapidly to your preferred height with just the push of a button.

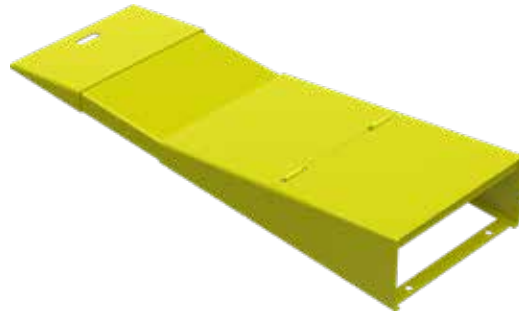
Optional Equipment

Optional 6,000-lb. capacity rolling jacks (model RBJ6000) make a great addition to increase service capacity. Each jack has telescoping arms and frame contact pads that can be extended over the runways and positioned under vehicle lifting points. Each jack features three safety-lock positions and stackable truck and van adapters for increased lifting height and better access to frame contact points.

Specifications



COLLAPSED
56" (1,422 mm)



EXTENDED
79" (2,007 mm)

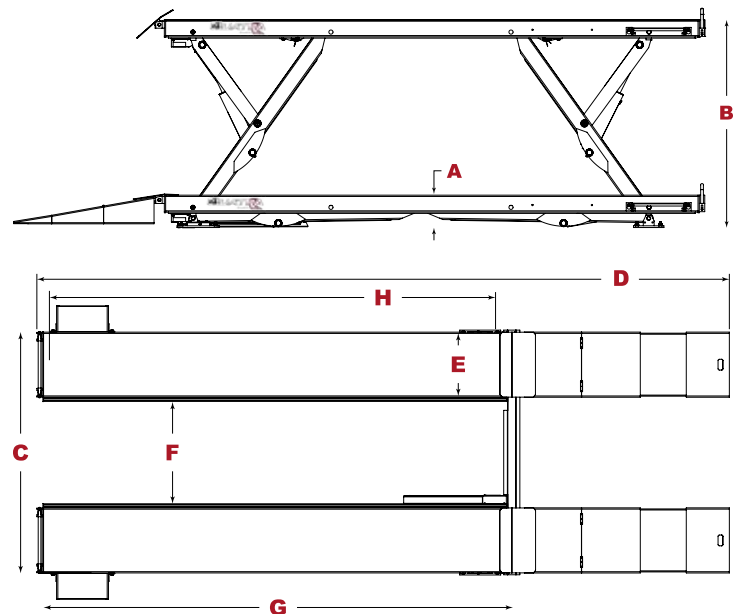


STOWED
22" (559 mm)

It's all in the approach

When it comes to positioning vehicles on the lift, there is no other auto lift on the market that makes it easier. Extendable, hinged, collapsible, and stowable approach ramps are an industry first. The extendable approach ramps deliver a range of motion from 59" all the way up to an incredible 76" overall length in mere seconds. Not only do these user favorites make it convenient to drive ground hugging cars on the lift, when space is tight, their collapsible and stowable design means you're able to close the shop doors at the end of the day.

Model	XR-12000
Style	Scissors Lift
SKU#	5175745
Lifting Capacity	12,000 lbs. (5,443 kg)
A - Min. Runway Height	11.75" (298 mm)
B - Max. Lifting Height	75" (1,910 mm)
C - Overall Width	88" (2,235 mm)
D - Length / Ramps Extended	276.75" (7,029 mm)
D - Length / Ramps Collapsed	257.75" (6,547 mm)
D - Length / Ramps Stowed	225" (5,715 mm)
E - Runway Width	24" (610 mm)
F - Width Between Runways	40" (1,028 mm)
G - Length of Runways	193" (4,902 mm)
H - General Service Wheelbase	175.5" (4,458 mm)
Min. Wheelbase @ Capacity	135" (3,429 mm)
Min. Wheelbase @ 75% Capacity	120" (3,048 mm)
Min. Wheelbase @ 50% Capacity	120" (3,048 mm)
Min. Wheelbase @ 25% Capacity	80" (2,032 mm)
Locking Positions	13
Standard Motor	220 VAC / 60 Hz. / 1 Ph



Note: An air supply (minimum: 30 psi / 3 CFM) is required for the safety-lock mechanisms to disengage. It is solely the responsibility of the end-user to provide, install and maintain the air supply.

Not all BendPak lift models meet the standards as prescribed by ANSI/ALI ALCTV-2017 or ANSI/UL 201. Consult www.autolift.org for complete listings or contact BendPak via contact@bendpak.com.