

# XPR-9DS



## Two-Post Lifts

SKU# 5175393

9,000-lb. Capacity, Floorplate, Direct Drive, Adjustable Width, Screw Pads

Questions? Contact BendPak's Sales Team

sales@bendpak.com | 1-800-253-2363

Monday - Friday, 7AM to 4:30PM PST

## Featuring Dual Direct-Drive, Low-Pressure Cylinders

The XPR-9DS is a fully electric-hydraulic [two-post car lift](#) that offers a robust 9,000-lb. lift capacity. Exclusive "direct-drive" technology complements the unrivaled quality of our steel to ensure a safe, efficient rise at all times.

The "D" in the XPR-9DS two-post lift stands for dual "direct-drive" low-pressure cylinders that minimize leakage and reduce strain resulting from heavy workloads that would otherwise disperse across the entire hydraulic system. This exclusive BendPak design feature saves you maintenance costs throughout the life of your car lift, and you aren't going to find user-focused convenience like this anywhere else. While all of BendPak's XPR-10 series two-post car lifts come with the direct drive hydraulic lift feature, only an XPR-9DS features this technology in the 9,000-lb. car lift class.



## Features

- 9,000-lb. lifting capacity
- CE Approved and Certified. Meets or exceeds the standards prescribed by European Standard EN 1493
- Adjustable width design configures for wide or narrow installation
- Direct-drive lifting system eliminates chains and pulleys
- Dual hydraulic lifting cylinders
- Single-piece columns
- Single point safety release
- Drop-end arms provide a lower pad height
- Triple-telescoping arms provide increased range for lifting point access
- Electric / hydraulic power system
- Large, 20" x 19" steel base plates
- Self-lubricating dura-glide polyethylene bearing system
- Safety locks in each column spaced every 3 inches
- Automatic arm restraints
- Dual 3/8" equalizer cables with oversize cable sheaves
- 4-piece 63 mm stackable adapter set comes standard

Not all BendPak lift models meet the standards as prescribed by ANSI/ALI ALCTV-2017 or ANSI/UL 201. Consult [www.autolift.org](http://www.autolift.org) for a complete list or contact BendPak via [contact@bendpak.com](mailto:contact@bendpak.com).

### Two-Stage Telescoping Screw Pad Assembly Kit

The XPR-9DS car lift has two-stage telescoping screw pads. They're tough as can be and stand up to years of heavy abuse in full-time auto shops. We include our 63 mm stackable adapter set for your convenience.

### Low-profile, dropped-end frame contact pads

Low-clearance vehicles like race cars and compacts won't get scratched and damaged with BendPak's low-profile frame contact pads.

### Triple-telescoping front arms and two-stage rear arms

There are thousands of wheel bases that every two-post lift needs to be able to handle. We extended the arm sweep and minimum arm reach to lift unibody frames at the OEM-recommended lift points.

### Lowered arm tube supports

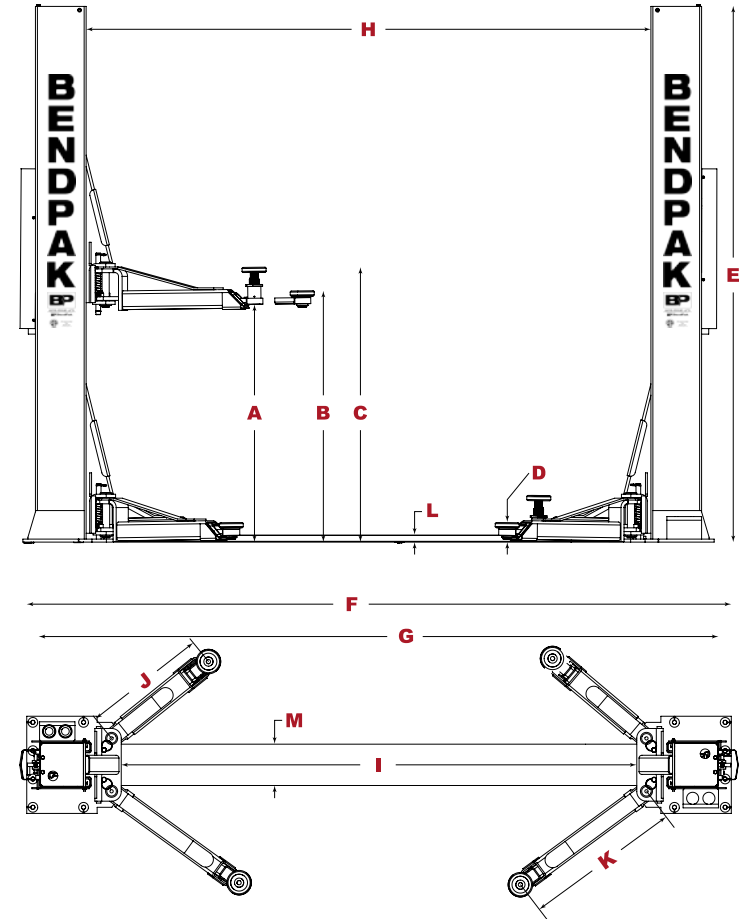
This car lift features specialty tube arms, making it safe to open vehicle doors as the vehicle is being lifted. This is useful for cars with low-hanging doors.

### Automatic arm restraints

The XPR-9DS two-post lift has automatic engage/disengage arm restraints. They activate when the lift rises and deactivate once the arms lower back down. When they're fully lowered, it's extremely easy to position them at your vehicle's lift points.

# Specifications

Model	XPR-9S	XPR-9DS	XPR-12FDL
Style	Chain-Over / Adjustable Width	Direct-Drive / Adjustable Width	Direct-Drive
SKU#	5175390	5175393	5175403
Lifting Capacity	9,000 lbs. (4,082 kg)	9,000 lbs. (4,082 kg)	12,000 lbs. (5,443 kg)
A - Rise	72" (1,829 mm)	69" (1,753 mm)	69" (1,753 mm)
B - Rise + Pad Only	78" (1,981 mm)	75" (1,905 mm)	74" (1,880 mm)
C - Max. Lifting Height	80.5" (2,044 mm)	77.5" (1,968 mm)	79" (2,007 mm)
D - Min. Height + Pad	4.25" (108 mm)	4.25" (108 mm)	5" (127 mm)
E - Height Overall	113" (2,870 mm)	145" (3,683 mm)	144" (3,403 mm)
F - Width Overall	132" (3,353 mm) - 145" (3,683 mm)	132" (3,353 mm) - 145" (3,683 mm)	155" (3,937 mm)
G - Outside Columns	126.75" (3,225 mm) - 139.75" (3,555 mm)	126.75" (3,225 mm) - 139.75" (3,555 mm)	146" (3,708 mm)
H - Inside Columns	105" (2,667 mm) - 118" (2,997 mm)	105" (2,667 mm) - 118" (2,997 mm)	118" (2,997 mm)
I - Drive-Thru Clearance	93" (2,362 mm) - 106" (2,692 mm)	93" (2,362 mm) - 106" (2,692 mm)	103" (2,616 mm)
J - Front Arm Reach (MAX)	28.5" (724 mm)	27.5" (698 mm)	39" (991 mm)
J - Front Arm Reach (MIN)	47.5" (1,206 mm)	51.5" (1,308 mm)	59" (1,499 mm)
K - Rear Arm Reach (MAX)	28.5" (724 mm)	34" (863 mm)	39" (991 mm)
K - Rear Arm Reach (MIN)	47.5" (1,206 mm)	54.5" (1,384 mm)	59" (1,499 mm)
Screw Pad Adjustment	1.75" (44.5 mm)	1.75" (44.5 mm)	N/A
Max. Load per Arm	2,250 lbs. (1,021 kg)	2,250 lbs. (1,021 kg)	3,000 lbs. (1,361 kg)
L - Floorplate Height	1.75" (44 mm)	1.75" (44 mm)	2" (51 mm)
M - Floorplate Width	8.5" (216 mm)	8.5" (216 mm)	8.5" (216 mm)
Time to Full Rise	45 seconds	45 seconds	55 seconds
Noise	45 dB	45 dB	45 dB
Motor	220 VAC / 60 Hz / 1 Ph	220 VAC / 60 Hz / 1 Ph	220 VAC / 60 Hz / 1 Ph



Not all BendPak lift models meet the standards as prescribed by ANSI/ALI ALCTV-2017 or ANSI/UL 201. Consult [www.autolift.org](http://www.autolift.org) for a complete list or contact BendPak via [contact@bendpak.com](mailto:contact@bendpak.com).