

---

# BendPak Technical Service Bulletin

## Crosstube Window Edge Guard Kit HDS-14 Series Lifts

### BendPak TSB 93-052022-1 Rev. A

The purpose of this Technical Service Bulletin is to provide guidance on the installation of the Sheave Window Edge Guard Kit (5210384). The Edge Guards are intended to reduce the possibility of the Lift Cables slipping off the Sheaves when tension is removed (e.g. when the Runway is on a Safety Lock and the operator continues to hold in the Lowering Solenoid).

The Edge Guards are pressed into the sides of the Sheave Windows by hand.

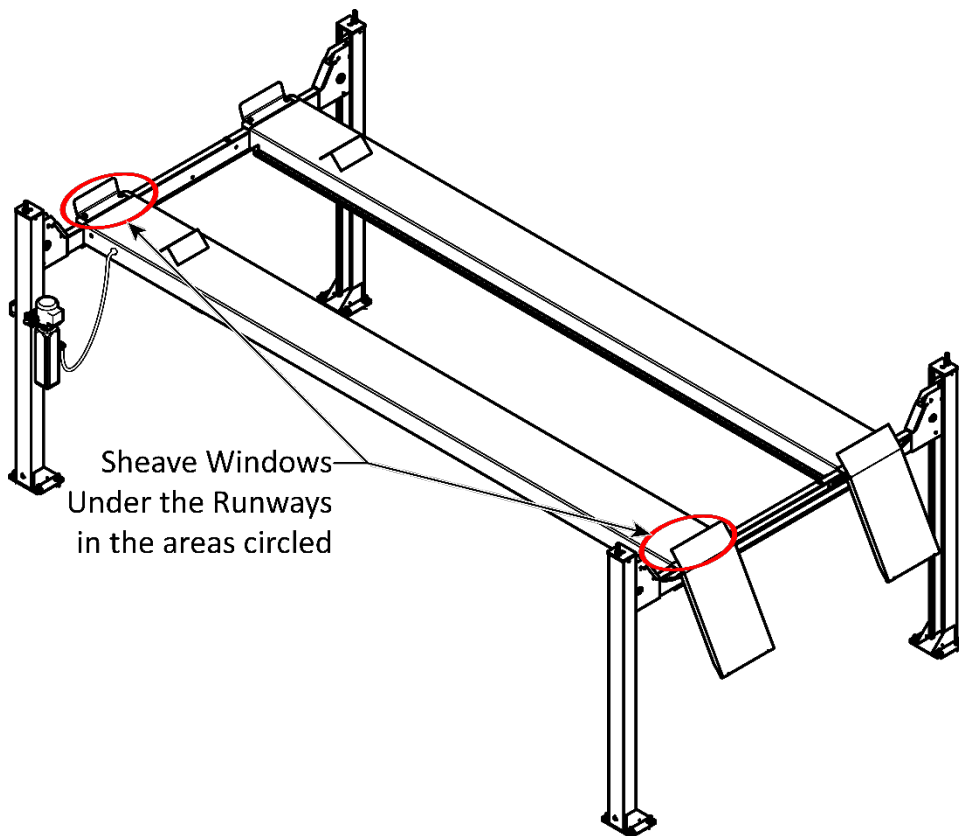
### Applying Edge Guards

Four Edge Guards are provided in the kit. Each Guard is sized to fit the Sheave Windows. On the HDS-14 Series Kit, two small and two long Edge Guards are provided.

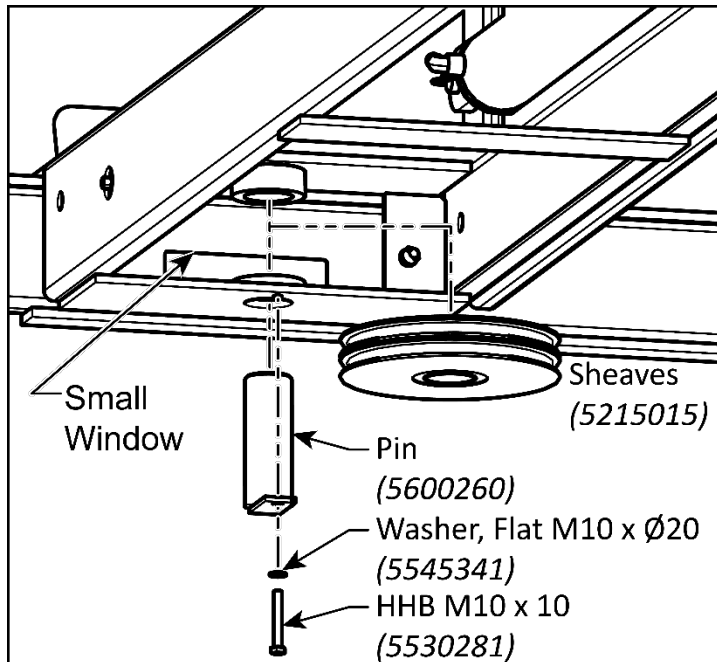
### To install the Edge Guards:

1. Raise the Lift Runways to their maximum and then lower onto the Top Lock. Verify both runways are secured on their Safety Locks.
2. Once you verify the Lift is secure on the Top Lock, press and hold the Lowering Control until there is slack in the Lifting Cables. Remove Power and Lockout while performing this procedure.

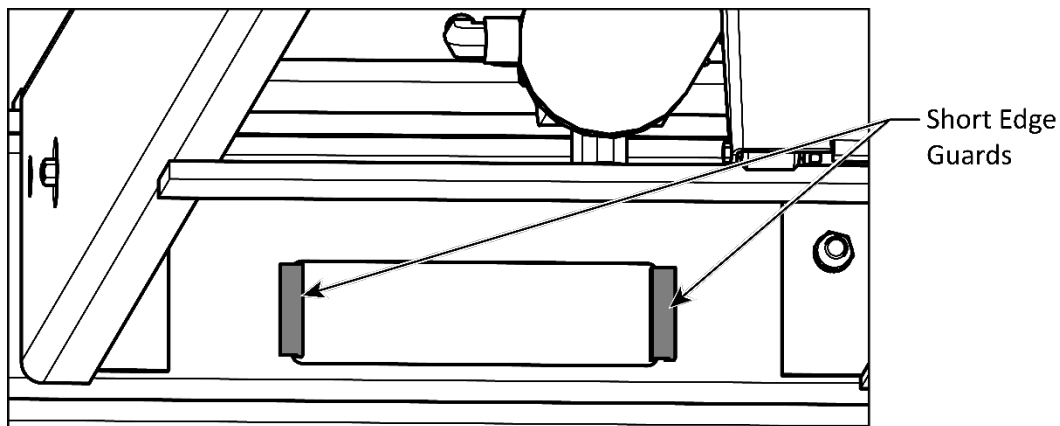
**⚠ DANGER** Do not move or work under the Lift's Runways until you have verified the Runways are **both** secured on their respective Safety Locks.



- Note the Lift Cable's top or bottom Sheave position. The Lift Cables must be returned to their original position. Working under the Powerside Ramp, remove the Two Sheaves on the Cylinder Side. Set the Sheaves and their Pin aside where they will not be damaged.



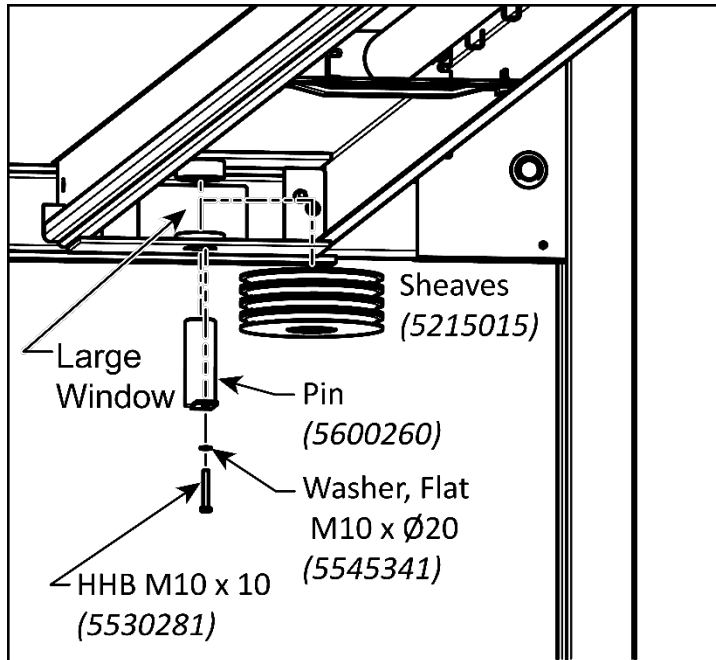
- With the Cross Tube Sheave Small Window now exposed, install the two short Edge Guards on the two vertical sides of the Window. Press in firmly by hand. Refer to the figure below.



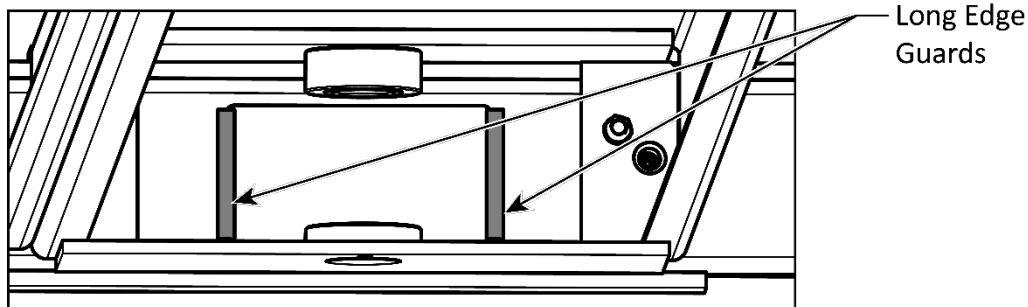
- Lubricate both Sheave Bores and the Pin with Red Lithium Grease.
- Place the Cables back into the Sheave Rim in their original positions and return the Sheaves and Pin into the Runway and secure.
- Move to the opposite side of the Powerside Runway and remove the Pin and four Sheaves.

**IMPORTANT!**

Note the order of the Cables top to bottom. The Cable's must be replaced in the same order, top to bottom, as you removed them. Marking the cables with tape is an effective method to ensure they are removed and replaced in the correct top to bottom order.



8. With the Cross Tube Sheave Large Window now exposed, install the two Long Edge Guards on the two vertical sides of the Window. Press in firmly by hand. Refer to the figure below.



9. Lubricate all Sheave Bores and the Sheave Pin with Red Lithium Grease.
10. Place the Lift Cables back into the Sheave Rims in their correct Top to Bottom order.
11. Return the Sheaves and their Pin into the Runway and secure.
12. Verify the cables are routed correctly and there are no crossed or misrouted Cables.
13. Unlock the access to the Lift's Power.
14. Apply power to the Lift and Press the Up button until the slack is just removed from the Lift Cables.
15. Verify all cables have a slight tension and are not crossed over or otherwise misrouted.

- 
16. If the Lift Cables are misrouted, lower the Runway and correct the Cable routing.
  17. If the Cables are routed correctly, raise the Runways off their Safety Locks.
  18. Press the Safety Release and lower the Runways to the ground.
  19. Raise and lower the Lift's Runways several times to verify correct operation. If there is a problem, contact BendPak as below.

Technical support and service is available from your dealer, on the Web at [bendpak.com/support](http://bendpak.com/support), by email at [support@bendpak.com](mailto:support@bendpak.com), or by phone at **(800) 253-2363**, extension 196. You may also contact BendPak for parts replacement information (please have the model and serial number of your unit available) at **(800) 253-2363**, extension 191.