

# BendPak Technical Service Bulletin

## Four-Post Lift Flex Tube Kit

### BendPak TSB 97-082022

The purpose of this Technical Service Bulletin is to provide installation guidance for the Flex Tube Kit on all four-post Lifts manufactured by BendPak Inc., as well as Lifts manufactured under the Danmar brand. The Flex Tube is designed to route and protect Hydraulic, Pneumatic and in some cases Electrical lines from becoming entrapped and damaged under a Lift Platform. This Service Bulletin supersedes the Flex Tube Installation Instructions and procedures in the Installation Manual.

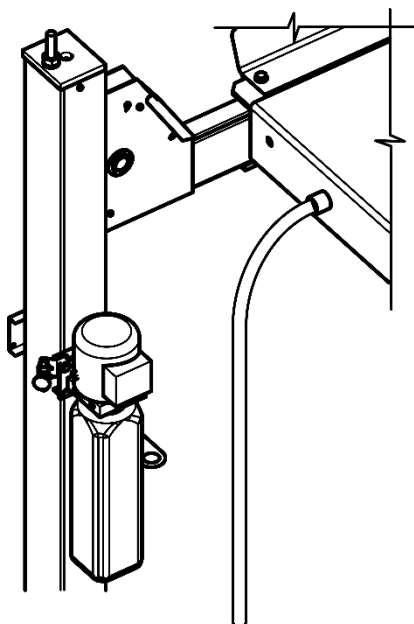
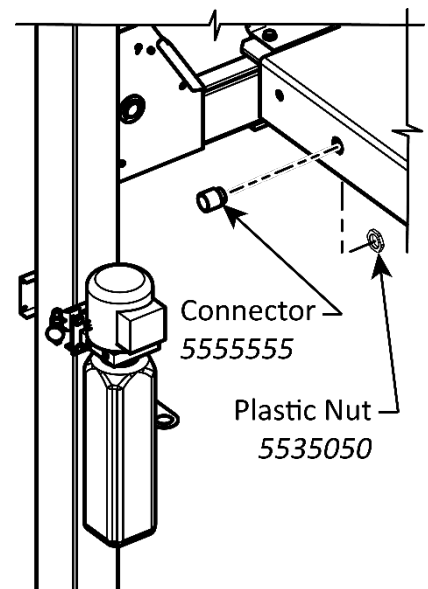
This document is intended to be used as a general guide for installing the Flex Tube Kit and does not call out any specific BendPak Lift.

### Installing the Flex Tube Kit

The Flex Tube Kits in the table below consist of a Flexible Tube (5570053), two Connectors (5555555) and two Plastic Nuts (5535050).

#### To install the Flex Tube Kit:

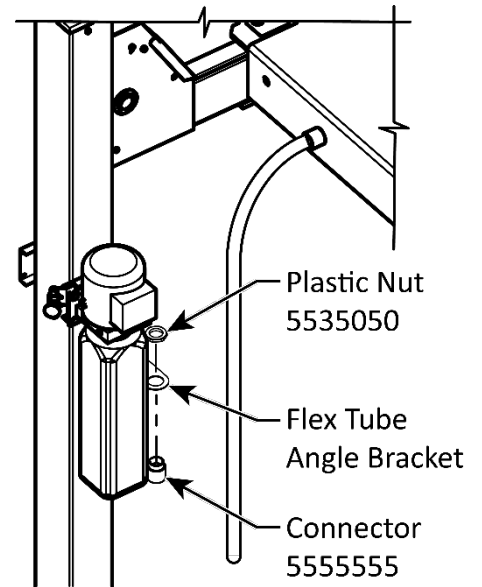
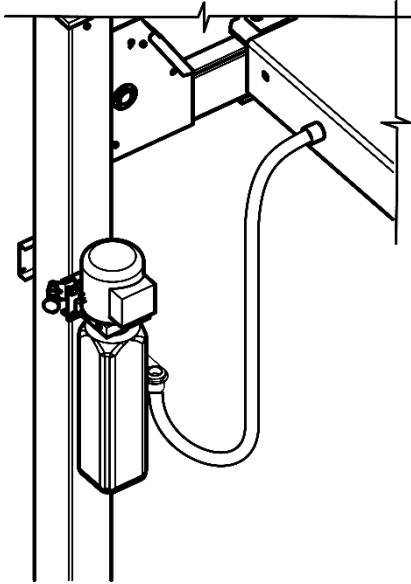
1. Move the Lift Platforms to the Top Lock as described in the Installation Manual.
2. Install one Connector on the Powerside Platform opening near the Power Unit and secure. Refer to the figure on the right.
3. Install one end of the Flex Tube into the connector and let the other end hang loosely. Refer to the figure below.
4. Find the length of the Flex Tube for your Lift in the **Flex Hose Length Table**.
5. Measure, mark, then cut the Flex Tube at the correct length for your Lift. Cut to the length indicated  $\pm 25\text{mm}$  ( $\pm 1$  in).



<b>Flex Tube Kit Part Number</b>	<b>Flex Tube Length</b>
5216139	Up to 2,000mm
5216140	Up to 2,500mm
5216141	Up to 3,000mm

- Loosely install the second Connector on the Flex Tube Angle Bracket. Refer to the figure on the right.
- Move the free end of the Flex Tube up to the connector on the Flex Tube Angle Bracket. The Tube should create a gentle radius that does not pinch or collapse the Flex Tube.

- IMPORTANT!** The ideal Flex Tube length allows for a moderate service loop and keeps the lines away from the moving platform.
- Install the Flex Tube cut end into the Connector on the Flex Tube Angle Bracket. Refer to the figure below.



- Remove the Connector and feed the required Hydraulic, Pneumatic and Electrical lines through the Flex Tube and Connectors.
- Place the Connector and the Flex Tube in the Flex Tube Bracket and then secure.
- Proceed with the Hydraulic, Pneumatic and Electrical connections as detailed in the Installation Manual for your Lift.

**IMPORTANT!** When cycling the Lift Platforms up and down watch and verify the Flex Tube keeps the Hoses from moving into a position that would allow the Lift Platforms to contact or damage them.

Technical support and service is available from your dealer, on the Web, by email at [support@bendpak.com](mailto:support@bendpak.com), or by phone at **(800) 253-2363**, extension 196. You may also contact BendPak for parts replacement information (please have the model and serial number of your unit available) at **(800) 253-2363**, extension 191.

## Flex Hose Length Table

Models	mm	In.
HD-7W	1320mm	52 in.
HD-7P	1320mm	52 in.
HD-7MZ	2440mm	96 in.
HD-7MZT	2440mm	96 in.
HD-7MZS	2440mm	96 in.
HD-7PXN	2025mm	79.75in.
HD-7PXW	1320mm	52 in.
HD-7PLT	1320mm	52 in.
HD-7PXWS	2440mm	96 in.
HD-75BXT	1320mm	52 in.
HD-7500PBX	2440mm	96 in.
HD-7500BL	1170mm	46in.
HD-7500BLX	1320mm	52 in.
HD-9	1320mm	52 in.
HD-9AE	1320mm	52 in.
HD-9ST	1170mm	46in.
HD-9STX	1170mm	46in.
HD-9XW	1320mm	52 in.
HD-9XL	1320mm	52 in.
HD-9SW	1320mm	52 in.
HD-9SWX	1320mm	52 in.
HD-9SWX-E	1320mm	52in.
HD-9SW-E	1675mm	66in.
GP-9F	1675mm	66in.
GP-9XLT	1675mm	66in.

Model	mm	In.
D4-9	1675mm	66in.
D4-9X	1675mm	66in.
HD-973P/PX	2440mm	96 in.
HD-973P/PX	1400mm	55in.
HD-973P/PX-G	2440mm	96 in.
HD-973P/PX-G	1400mm	55in.
D4-12	1320mm	52 in.
D4-12A	1320mm	52 in.
HD-14T	1320mm	52 in.
HDS-14 SERIES	1320mm	52 in.
HDSO-14 SERIES	1320mm	52 in.
HDS-18 SREIES	1320mm	52 in.
HDS-27 SREIES	1320mm	52 in.
HDS-40 SERIES	1320mm	52 in.