
BendPak Technical Service Bulletin

Anti-Slip Tape

DRAFT

BendPak TSB 92-052022

The purpose of this Technical Service Bulletin is to provide general guidance for the application of Anti-Slip Tape (SKU 5930195) on the runways of four-post Lifts manufactured by BendPak Inc., as well as Lifts manufactured under the Ranger and Dannmar brands. Intended for current production Lifts *without* the non-skid, sandy grit runways, Anti-Slip Tape is designed to increase the friction between the metal surface of the Lift and Vehicles or personnel on the Lift.

The Anti-Slip Tape is constructed of a #20 Grit abrasive surface with a solvent acrylic adhesive backing.

This document is intended to be used as a general guide for applying the Tape and does not call out any specific BendPak Lift.

Applying Anti-Slip Tape

The Anti-Slip Tape (SKU 5930195) is provided in a single roll measuring 6 in. x 24 ft. (152 mm x 7.3 m). BendPak suggests cutting the Tape into four equal lengths 72 in (1,829 mm) long each.

IMPORTANT! Surface preparation is important. If the runway is in poor condition with gouges, holes or jagged edges the Anti-Slip Tape will not adhere. Lift Runways must be clean, dry and smooth.

To apply the Anti-Slip Tape:

1. Clean the runway. Use a broom or brush to remove loose dirt and debris from the runway.
2. Thoroughly wash, rinse and dry the runway using a mild solution of soap and clean water to remove any oils, grease and water soluble contamination. Dry the runway with a clean cloth and allow to air dry.
3. Cut the Anti-Slip Tape into four equal pieces. Suggested length is 72 in. (1,829 mm).
4. Verify the Runway is dry and clean. It is critical for maximum adhesion of the Anti-Slip Tape that the runway be dry, free of dirt, oils and grease.
5. Measure and mark the runways with pencil guide lines to outline the tape installation area on the ramp. Refer to the figure on the next page for a suggested layout of the Anti-Slip Tape.

IMPORTANT! Do **not** install this Tape directly on the edge of a Runway. Stay at least 1 in (25 mm) away from edges. Do **not** attempt to bend this Tape over an edge.

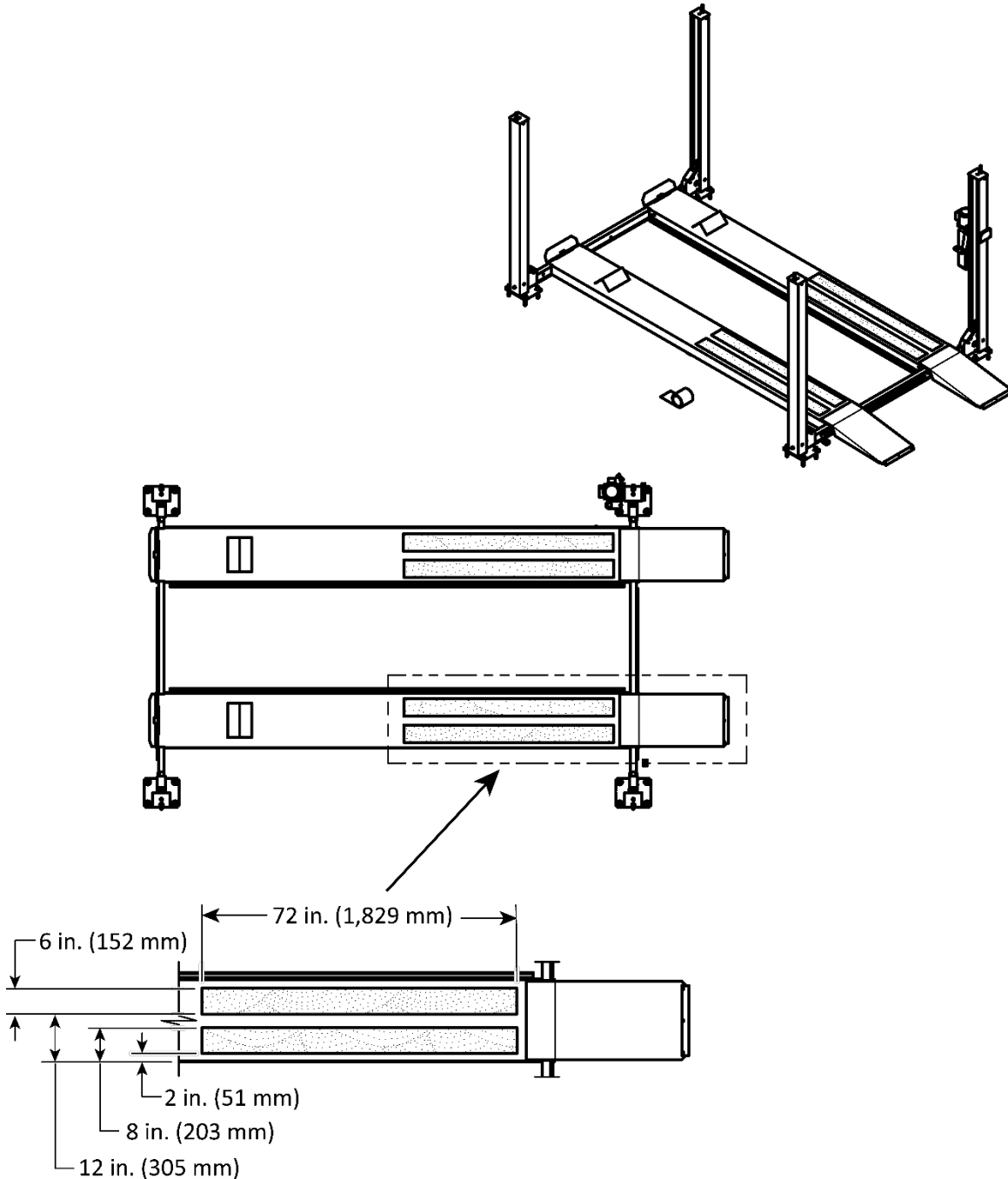
6. Wash your hands. The Anti-Slip Tape's adhesive side is protected by a paper or plastic film. You will remove this film a few inches at a time to apply the Tape to the Runway.

IMPORTANT! Handle the tape by its edges. Minimize contact between the adhesive and your hands. The oils from your hands will reduce the adhesive's long-term effectiveness.

IMPORTANT! BendPak recommends two people work together to install the Tape. One person removes the backing and applies the Tape to the Runway while the second holds the Tape in place over the guide lines marked on the Runway.

7. Lay one piece of the Anti-Slip Tape on the runway and peel back about 2 inches (50 mm) of the protective film. Apply the adhesive side to the Runway inside the guide lines you created in step 5.

8. Slowly remove the film as you press the exposed Tape's adhesive side into the Runway. Work slowly and apply 2 to 5 inches at a time to stay within your guide lines.
9. After applying the Tape use a heavy rubber roller to press the Tape into the Runway and to ensure firm contact with the adhesive.
10. Apply the Anti-Slip Tape to the remaining area of the Lift's runways similar to the figure below.



Technical support and service is available from your dealer, on the Web at bendpak.com/support, by email at support@bendpak.com, or by phone at **(800) 253-2363**, extension 196. You may also contact BendPak for parts replacement information (please have the model and serial number of your unit available) at **(800) 253-2363**, extension 191.