

BendPak Cool Boss Technical Service Bulletin

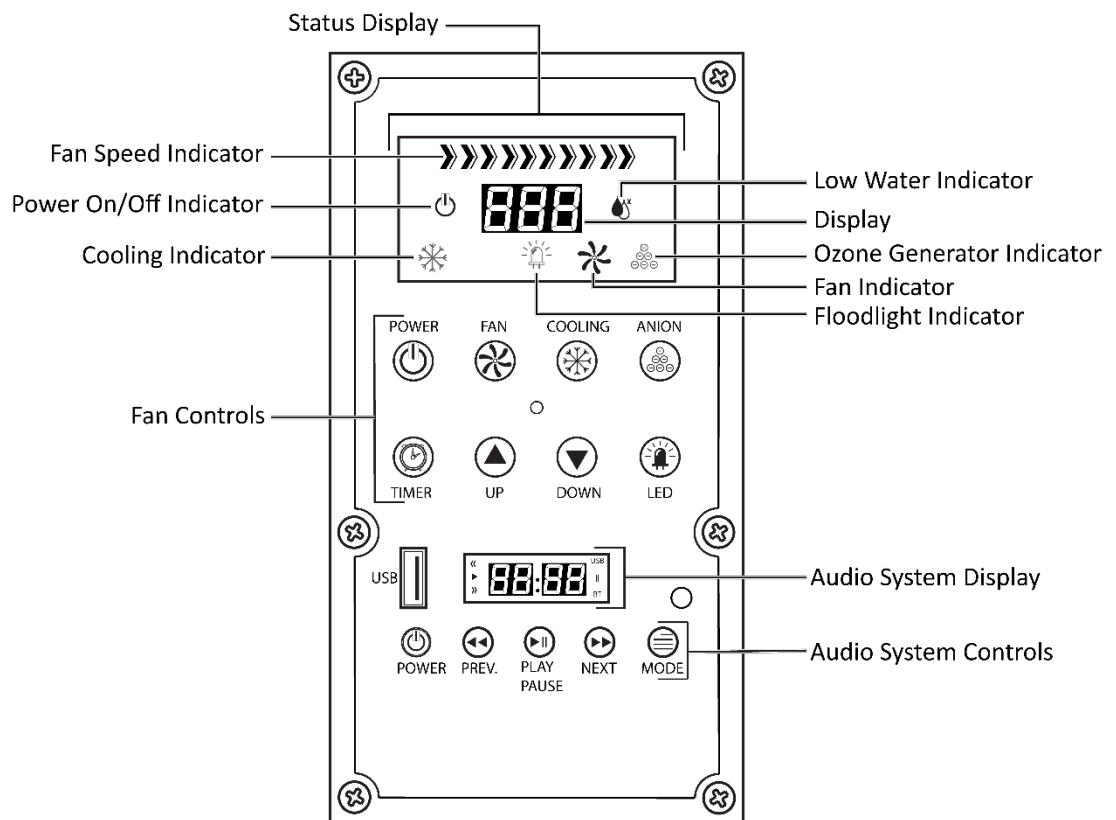
Installation and Operation Manual – Ozone Generator

BendPak TSB 88 – 032022

The purpose of this Technical Service Bulletin is to remove inaccurate Anion references and replace them with Ozone Generator information. This bulletin requires removing and replacing illustrations and text on pages 11 and 12 as well as procedures text on Page 25 of the Cool Boss Installation and Operation Manual 5900271 Rev. A.

1. Changes to Page11: Replace Page 11 with the illustration and text below.

The Cool Boss Control Panel



Status Display

This display provides the on-off status of the Cool Boss functions, the fan power settings as a percentage, current temperature of the air in °F at the Cool Boss Fan, the timer status and a low water warning.

Control Functions

Power – Push on-off. Applies power to the Cool Boss.

Fan – Push on-off. Applies power to the Fan.

Cooling – Push on-off. Applies power to the Pump which provides water to the Spray Bar over the Media.

Ozone Generator – Push on-off. Applies power to the Ozone Generator.

⚠ WARNING ***Ozone generators are to be operated in unoccupied spaces only.*** This device is not intended to produce Ozone while personnel or pets are present.

Timer – Push to scroll through preprogrammed shutdown times. Allows the operator to select an automatic shutdown time in 1 hour increments. Up to 12 Hours maximum.

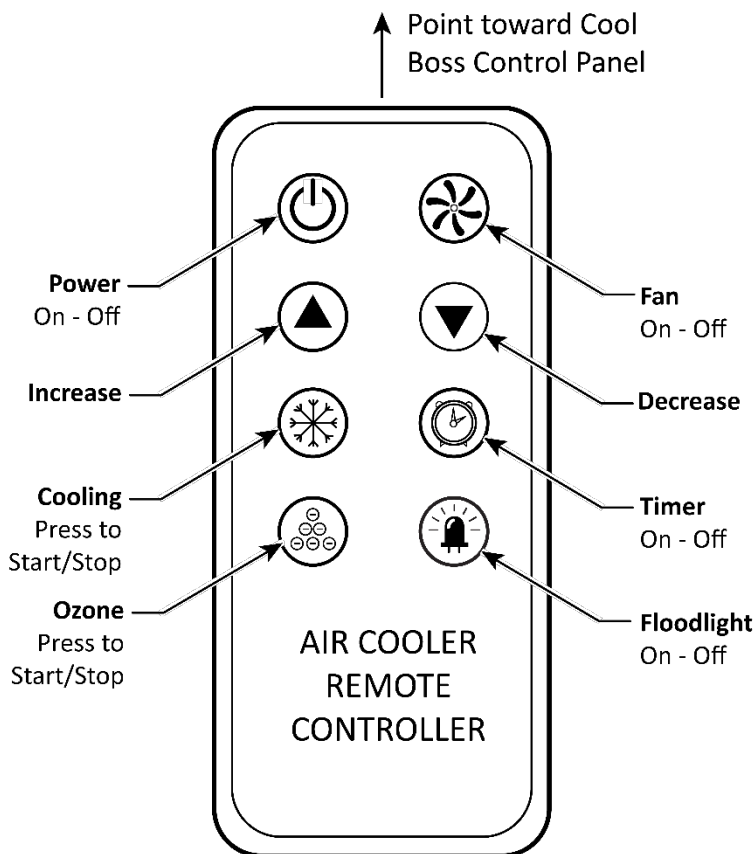
Up – Push to increase the Fan speed.

Down – Push to decrease the Fan speed.

LED – Push on-off. Applies power to the LED Floodlight located the top of the Cool Boss.

2. Changes to Page 12:

Replace the Remote Control image on page 12 with the image below.



3. Changes to Page 25:

Replace the **To Use the Anion function** section on Page 25 with the text below.

Ozone Generator

⚠ WARNING ***Ozone generators are to be operated in unoccupied spaces only.*** This device is not intended to produce Ozone while personnel or pets are present. Long-term exposure to Ozone is not recommended. Ozone can contribute to respiratory and eye irritation, especially in those with asthma or Chronic Obstructive Pulmonary Disease (COPD).

The Cool Boss incorporates an Ozone generator. This function is controlled by a simple on-off button on the Control Panel. The Ozone Generator uses high voltage to electrically charge plates producing Ozone in the Air moving between the plates.

To Use the Ozone Generator function:

- a. Clear the area to be exposed to Ozone (O₃). No personnel or pets are allowed in the area during operation.
- b. Verify there is sufficient fresh air ventilation to allow the Cool Boss to operate.
- c. Apply power to the Cool Boss.
- d. Start and adjust the Fan to the desired speed.
- e. Push the Ozone button and the Ozone indicator will illuminate on the Cool Boss Status Display indicating the Generator is in operation. Leave the area while the generator is in operation.
- f. Shut down the Ozone Generator and leave the Fan in operation to ventilate the space for at least 30 minutes before allowing occupation by personnel.

If you have questions about your Cool Boss Evaporative Cooler, call Cool Boss at **(805) 933-9970** or email support@coolboss.com, or call **(805) 252-2363**.