

# BendPak Technical Service Bulletin

## PCL-18B – Attach the Pull Handle

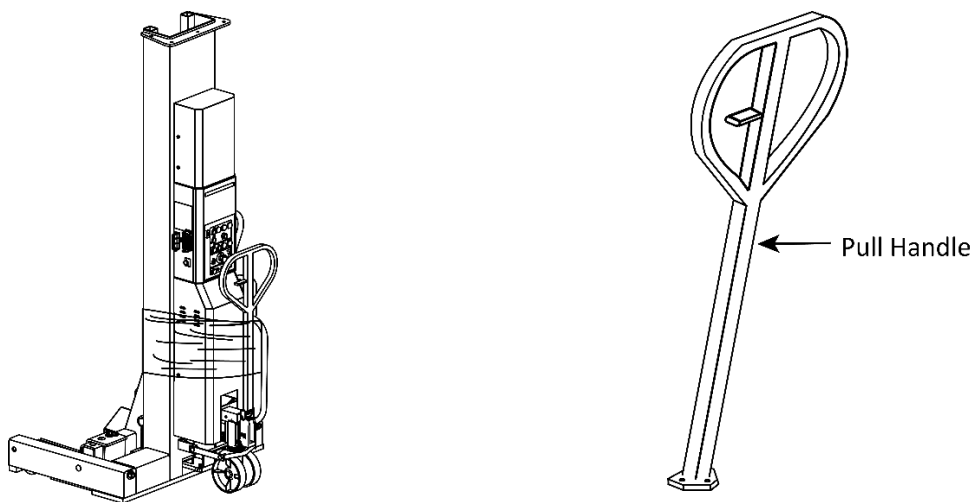
### BendPak TSB 83-112021

This Technical Service Bulletin describes how to attach the Pull Handle to the PCL-18B Column. The Pull Handle is shipped with the PCL-18B Column, but it is not bolted to the Wheeled Jack. ***It is your responsibility to attach the Pull Handle to the Wheeled Jack.***

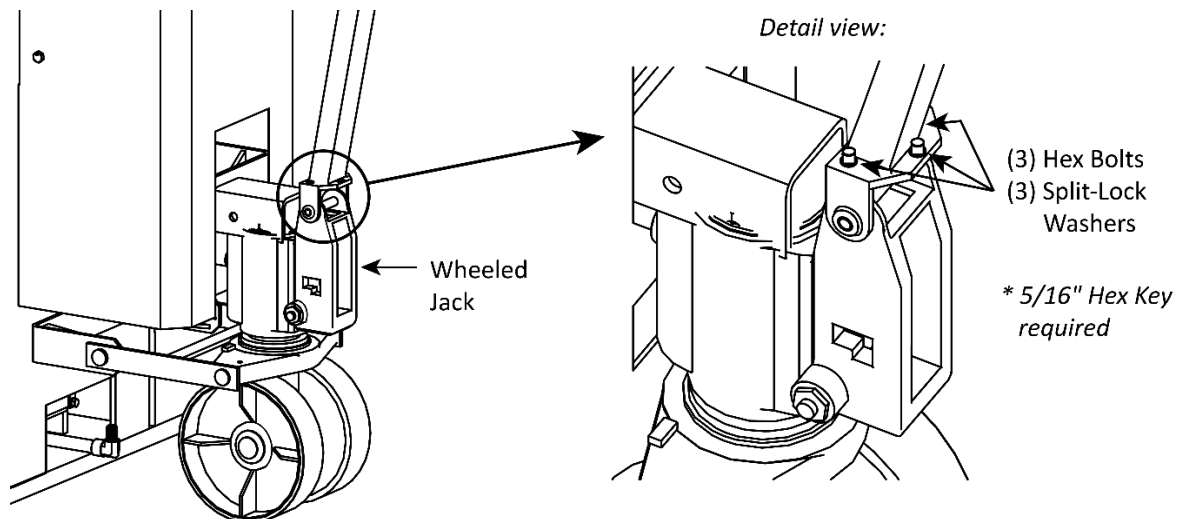
Three Hex Bolts and Split-Lock Washers are supplied with this Technical Service Bulletin.

### To attach the Pull Handle to the Wheeled Jack:

1. Remove the shipping material from the PCL-18B Column, using caution so that the Pull Handle is not knocked over.



2. Position the Pull Handle on the Wheeled Jack, then secure it in place using the supplied Hex Bolts and Split-lock Washers.



If you have questions about your Portable Column Lift, go to [Bendpak.com/support](https://www.bendpak.com/support), email [support@bendpak.com](mailto:support@bendpak.com), or call (800) 252-2363.