

BendPak Technical Service Bulletin

Replacing Two-Post Lift Arm Restraint Gears

BendPak TSB 80 – 082021

The purpose of this TSB is to describe the procedure for replacing the Arm Restraint Gears on your Two-Post Lift.

The supplied kit includes four Arm Restraint Gear replacements; these replacement Arm Restraint Gears are designed for improved engagement between the Arm Restraint Gear and the Arm Restraint Lock Block on the Lift Arm Assemblies.

You will need to use the Bolts, Split-Lock Washers, and Flat Washers that originally came with your Lift.

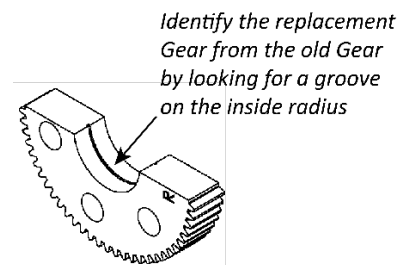
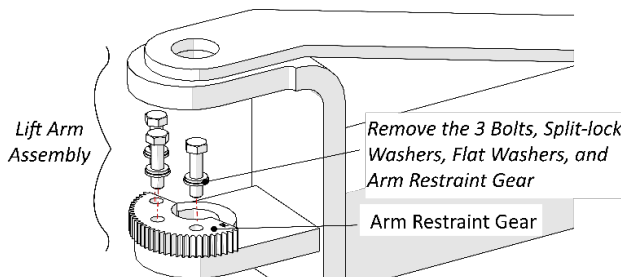
To replace the Arm Restraint Gears on your Lift:

1. Raise and lock the Lift Head at a comfortable working position, then take the Lift out of service and disconnect it from power.

Note: It is much easier to remove the Lift Arm Assemblies when the Lift Head is up off the ground.

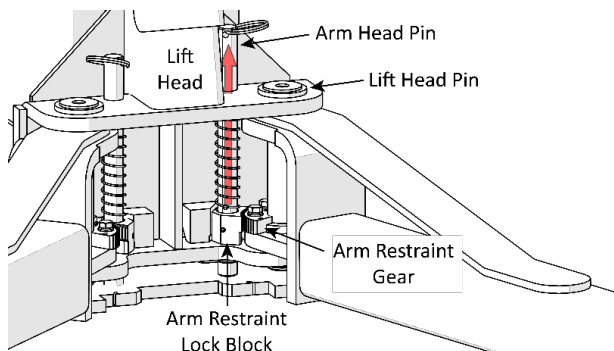
2. Remove the Lift Arm Assembly from the Lift Head, then remove the three Bolts and Arm Restraint Gear.

CAUTION Use care when handling the Lift Arm Assemblies.

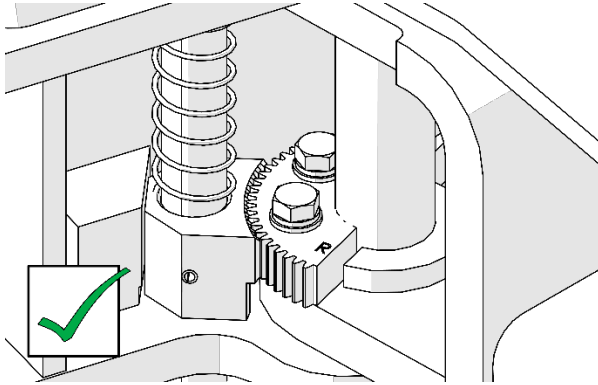


3. Locate one of the replacement Arm Restraint Gears from the supplied kit and verify you have the correct orientation for the Arm Restraint Gear you are replacing, “L” for Left or “R” for Right.
4. Position the new Arm Restraint Gear in place, then loosely tighten the three Bolts, Split-Lock Washers, and Flat Washers into the Bolting locations.
5. Reinstall the Lift Arm Assembly into the Lift Head and verify that the Arm Restraint Gear is meshing with the Arm Restraint Lock Block.

Note: You may need to slightly raise the Arm Head Pin so that the Arm Restraint Gear and Arm Restraint Lock Block mesh properly.



-
6. Once you have verified that the Arm Restraint Gear and Arm Restraint Lock Block are meshing, then use an appropriate tool to torque all three Bolts into place.
 7. Verify that all three Bolts are firmly secured on the Arm Restraint Gear.



8. Perform Steps 2 – 7 for the three other replacement Arm Restraint Gears.
9. Double check all four of the new Arm Restraint Gears; they should be securely in place and meshing with the Arm Restraint Lock Block.
10. Put the Lift back into service and connect it to the power source.

If you have questions about your BendPak Two-Post Lift, go to [Bendpak.com/support](https://www.bendpak.com/support), email support@bendpak.com, or call **(805) 252-2363**.