

BendPak Technical Service Bulletin

EV-2400 Slip Plate Handle Extension

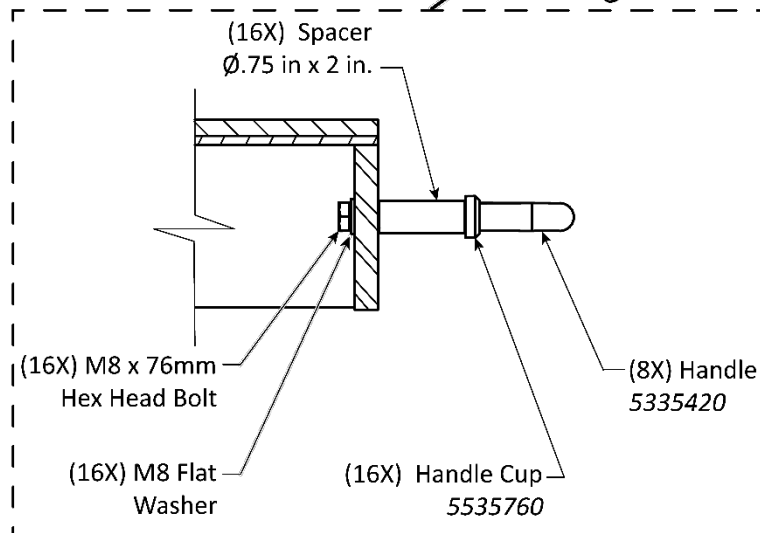
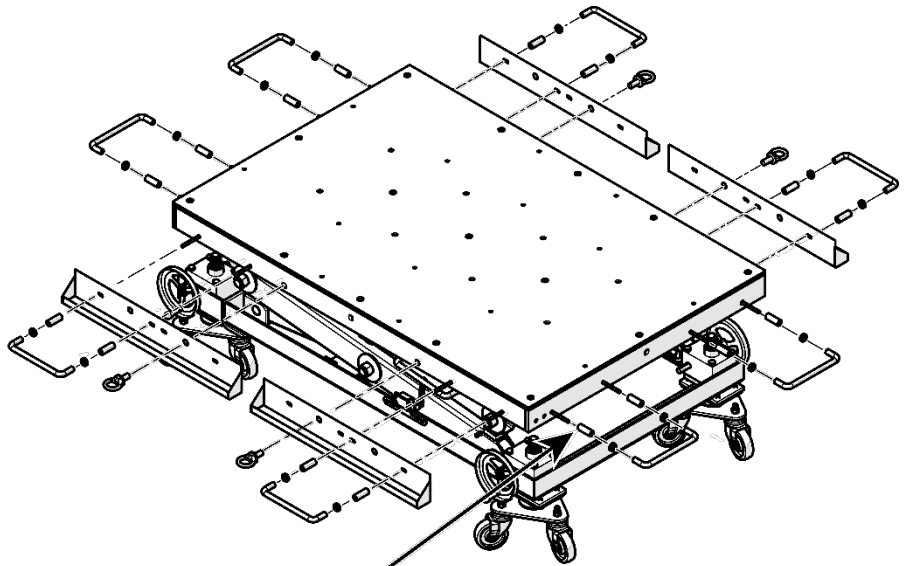
TSB 103-112022

The purpose of this Technical Service Bulletin is to detail the installation of Handle Extensions when using the EV-2400 with its Slip Plate Accessory. The Handle Extension consists of a Spacer and an M8 x 76 mm Hex Head Bolt.

⚠ WARNING The Handle Extensions described in this TSB are **required** when using the EV-2400 with its Slip Plate Accessory. A pinch point hazard is created when using the Slip Plate with the EV-2400 and its standard Handles.

To install the Slip Plate Handle Extensions:

1. Remove the existing Handles by loosening and removing the sixteen M8 x 25 mm Hex Head Bolts, M8 Flat Washers, Handle Cups and Handles. Retain all components.
2. Retrieve the Handle Extension components, consisting of Sixteen Ø.75 in. x 2 in. spacers and sixteen M8 x 76 mm Hex Head Bolts.
3. Assemble and tighten the Handles using the Spacers and M8 x 76 mm Hex Head bolts as detailed in the figure to the right.



If you have questions about your BendPak Lift, go to **Bendpak.com/support**, email **support@bendpak.com**, or call **(805) 252-2363** ext. 196.