

HD-973PX



Parking Lifts SKU# 5175267

9,000 and 7,000 Lb. Capacity / Tri-Level Parking Lift / Extended / High Lift / SPECIAL ORDER / PATENT PENDING

Questions? Contact BendPak's Sales Team

sales@bendpak.com | 1-800-253-2363

Monday - Friday, 7AM to 4:30PM PST

The longer, higher triple decker

The tri-level HD-973PX is a four-post parking lift that maximizes your parking capacity without adding any additional real estate. Each HD-973PX houses up to three vehicles on strengthened parking platforms to give you the most space for your buck. With an additional 84" of overall height compared to the HD-973P parking lift, the HD-973PX supports some of the biggest vehicles around! This extra height, along with the additional 10" of runway length, gives you the perfect amount of space to fit longer and taller vehicles, while maintaining a height that will fit comfortably in most shops and garages. With the topmost platform's weight capacity sitting at a hefty 7,000 lbs. and the lower deck handling up to 9,000 lbs., the HD-973PX is ideal for lifting even heavy-duty vehicles like full-size trucks and SUVs.

Smarter construction means less cost to you

High-rise parking lifts that can fit three vehicles will inevitably cost more than other lifts. There's simply more steel involved, and larger lifts require additional engineering, all of which gets incorporated in the cost. The HD-973PX offsets much of that extra cost because its smart design requires less steel. The end result is an incredibly efficient parking lift that actually saves buyers thousands of dollars while upholding the industry's most rigid safety standards.

Proprietary design

Shortened height columns allow this car lift to fit in low ceiling spaces where others systems can't. Although shorter in stature than most tri-level systems, the lower space still yields a full 70 inches of rise.

Independent platforms

Typical multi-level car stackers include a bottom platform that is suspended from the upper platform via chains or cables—both platforms move simultaneously. This tethered operation results in limited spacing options between platforms, as the distance between platforms is fixed.

The HD-973PX features independently operated lifting platforms, permitting varied vehicle heights and spacing in either upper or lower parking spaces. Because the platforms do not have to move in unison with one another, you can now lower the bottom platform without disrupting the overhead vehicle being stored. This allows operators to control one platform at a time. Practically speaking, if you only want to swap out the second-level vehicle, you don't have to lower the top-level vehicle.

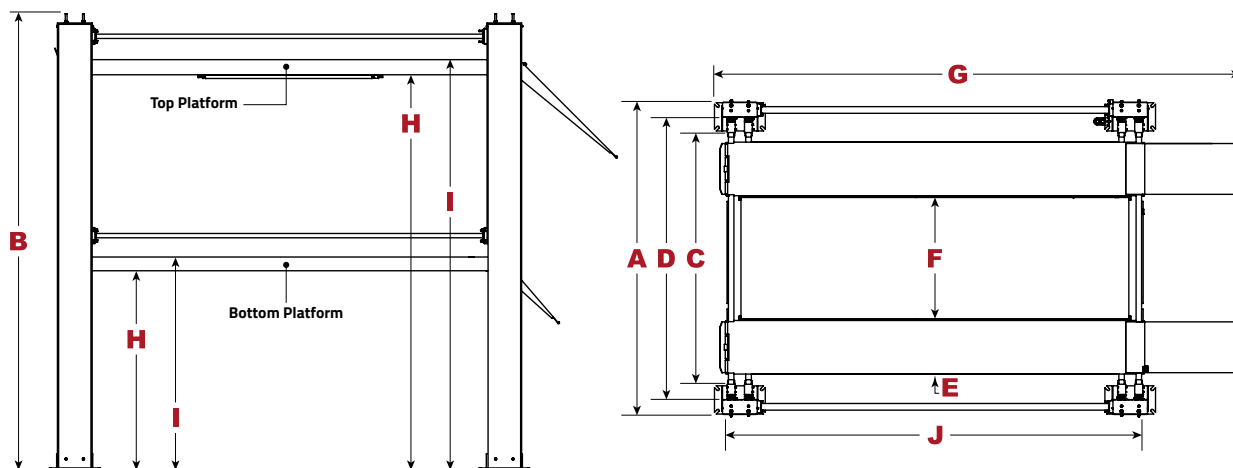


Features

- Extended length, high rise
- Perfect for parking, storage and service
- Padded trip bar with limit switch prevents lower vehicle from making contact with upper platform
- Durable powder coat finish
- Perfect for cars, trucks, and SUVs
- Platforms feature full-length aluminum decking
- Heavy-duty 3/8" lifting cable
- Reliable electric-hydraulic power system
- Runways feature a durable matte finish
- Multi-position safety locks in each column
- Automatic safety locks combined with redundant anti-fall devices
- Independent backup slack-cable safety latches

Patent Pending - Applied for in the U.S. and Abroad

Specifications



SHARED SPECS

A - Overall Width	112" (2,849 mm)
B - Height of Columns	173" (4,398 mm)
C - Drive-Thru Clearance	87" (2,201 mm)
D - Distance Between Columns	100" (2,546 mm)
E - Runway Width	19" (482 mm)
F - Width Between Runways	44" (1,121 mm)
Motor	220 VAC / 60 Hz / 1 Ph

	TOP PLATFORM	BOTTOM PLATFORM
Lifting Capacity	7,000 lbs. (3,175 kg)	9,000 lbs. (4,082 kg)
G - Overall Length (Includes Ramps)	252.25" (6,409 mm)	252.25" (6,409 mm)
H - Maximum Rise	151.5" (3,849 mm)	82.25" (2,088 mm)
I - Maximum Lifting Height	156.5" (3,972 mm)	87.25" (2,211 mm)
J - Length of Runways	199" (5,056 mm)	186.75" (4,744 mm)
Min. Wheelbase @ Capacity*	140" (3,556 mm)	135" (3,429 mm)
Min. Wheelbase @ 75% Cap.*	120" (3,084 mm)	115" (2,921 mm)
Min. Wheelbase @ 50% Cap.*	100" (2,540 mm)	95" (2,413 mm)
Min. Wheelbase @ 25% Cap.*	80" (2,032 mm)	75" (1,905 mm)
Locking Positions	34	16
Lock Spacing	Every 4" (102 mm)	Every 4" (102 mm)
Lifting Time	90 seconds	50 seconds

*The Lift supports less weight than its rated capacity when the vehicle's wheelbase is shorter; this is because the wheels of such a vehicle are closer to the middle of the Runways, where there is less strength. For example, the maximum weight allowed on the Lift for a vehicle with a wheelbase of 95" is 50 percent of the Lift's rated capacity (or 3,500 lbs. when the rated capacity is 7,000 lbs.).

Note: An air supply (minimum 30 psi / 3 CFM) is required for the safety-lock mechanisms to disengage. It is solely the responsibility of the end-user to provide, install and maintain the air supply.

Not all BendPak lift models meet the standards as prescribed by ANSI/ALI ALCTV-2017 or ANSI/UL 201. Consult www.autolift.org for complete listings or contact BendPak via contact@bendpak.com.

Patent Pending - Applied for in the U.S. and Abroad