

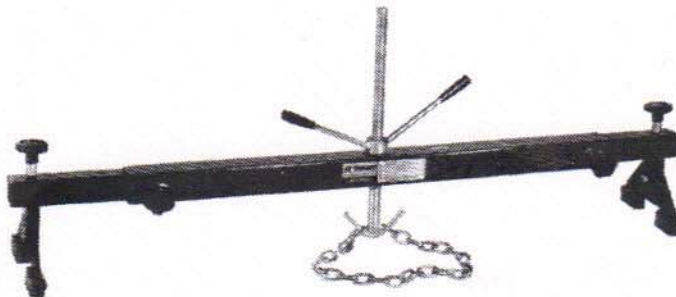


Forward this manual to all operators.  
Failure to operate this equipment as  
directed may cause injury and/or  
property damage.

## INSTALLATION AND OPERATION MANUAL

ENGINE SUPPORT

MODEL  
RST-500ES



### SHIPPING DAMAGE CLAIMS

When this equipment is shipped, title passes to the purchaser upon receipt from the carrier. Consequently, claims for the material damaged in shipment must be made by the purchaser against the transportation company at the time shipment is received.

### BE SAFE

Your new ranger engine supports are designed and built with safety in mind. However, your overall safety can be increased by proper training and thoughtful operation on the part of the operator. DO NOT operate or repair this equipment without reading this manual and the important safety instruction shown inside.

**Bend - Pak Inc.**  
1645 Lemonwood Drive  
Santa Paula, CA 93060, U.S.A  
Tel: 805 933 9970 - Fax: 805 933 9160

"The Benchmark Of Quality"

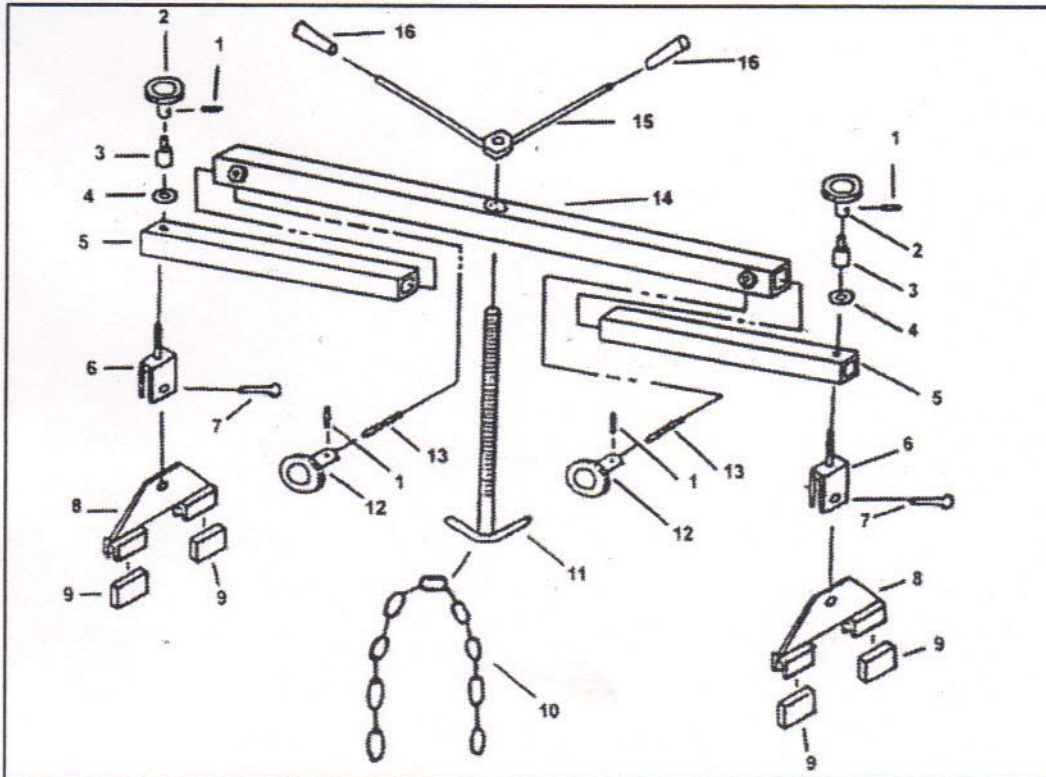
## ASSEMBLY INSTRUCTIONS

1. Insert telescopic beams (5) into the sides of the beam (14). Thread the grip (12) into the welding nut on the beam.
2. Remove the grip (2) and washer (4) from the standing block assembly. Insert the standing block (6) up through the holes in the telescopic beam. Place the washer and grip onto the standing block and tighten them.
3. Remove the screw (7) from the standing block. Insert the standing platform assembly (8) into the standing block. Insert and tighten the screw.
4. Insert the adjustable screw (11) up through the bottom of the beam. Thread the operating clamp assembly (15) on the adjustable screw.
5. Engine support is now ready for use.

### PARS LIST AND ASSEMBLY DIAGRAM

ITEM #	DESCRIPTION	Q'TY
1	Spring Pin	4
2	Grip	2
3	Pin	2
4	Washer	2
5	Telescopic Beam	2
6	Standing Block	2
7	Screw	2
8	Standing Platform Assembly	2

ITEM #	DESCRIPTION	Q'TY
9	Rubber Block	4
10	Chain	1
11	Adjustable Screw	1
12	Grip	2
13	Screw	2
14	Beam	1
15	Operating Clamp Assembly	1
16	Grip Handlebar	2



## UPON DELIVERY

1. Carefully remove all packaging material.
2. Inspect the equipment and all parts for any signs of concealed shipment or storage damages.
3. Remember to report any shipping damage to the carrier and make a notation on the delivery receipt.

## IMPORTANT SAFETY TIPS

Be sure to read all warning labels and the instruction manual prior to operations of this equipment.

Keep hands and body clear from all pinch points.

Do not overload. Overloading could cause damage and/or failure of the engine support and vehicle.

Ensure the rubber supports are securely located in the gutter of the vehicle's front wing panel.

Once the support is positioned correctly, tighten all lock knobs, nuts and bolts etc., before applying a load.

Always check that the engine is properly secured to the support via a suitable chain or sling.

This equipment is to be operated only by professional personnel and at all times keep visitors and especially children away from work area.

## SPECIFICATIONS / FEATURES

HOLDING CAPACITY	MAXIMUM WIDTH	MINIMUM WIDTH	SCREW TRAVEL	SHIPPING WEIGHT
1,500 Lbs. 680 Kg	49-1/2" 1257 mm	26-1/2" 673 mm	18-3/4" 476 mm	40 Lbs. 18 Kg