



SKU# 5175343

BRAND: BENDPAK

DESCRIPTION: RJ-45 ROLLING BRIDGE JACK

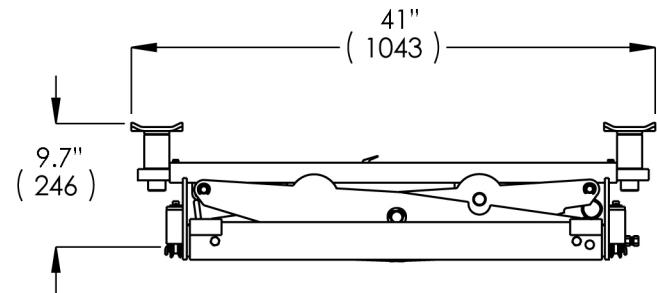
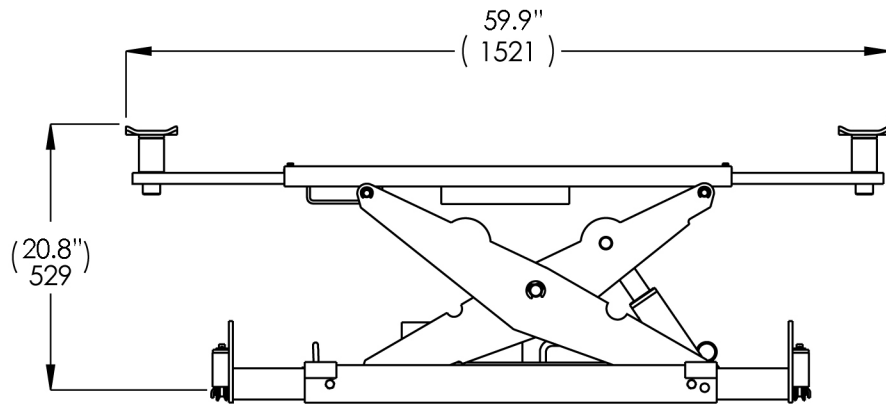
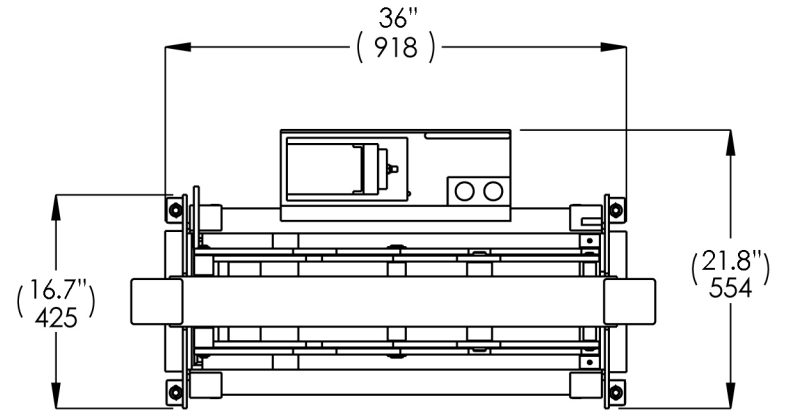
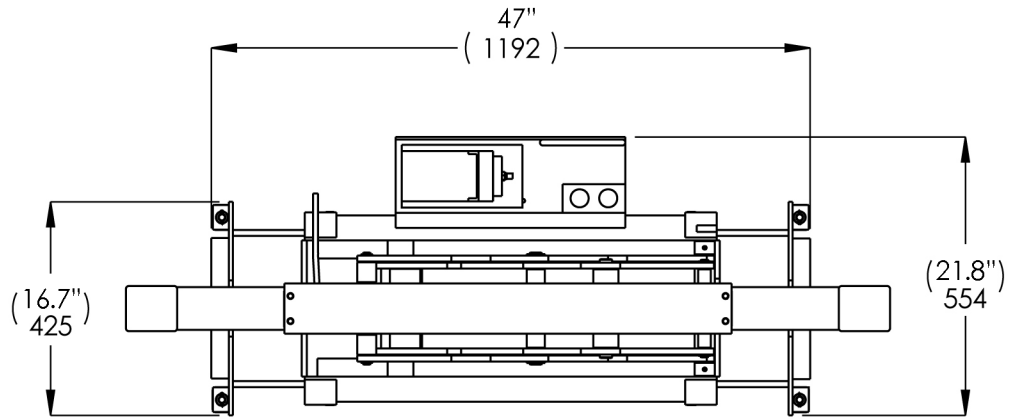
BendPak air/hydraulic rolling bridge jacks offer the ultimate in jacking speed and convenience when combined with a BendPak four-post lift. Their exclusive telescoping roller design accommodates different runway width settings and precision rollers enable you to position them anywhere under the vehicle - perfect for wheel and suspension work. Each RJ-45 includes two rubber contact pads and two stackable adapters. Add a Specialty Adapter Kit for even more versatility. Air Hydraulic Pump designed to operate with 90-120 PSI air source.



**FOUR PIECE
STANDARD
ADAPTER KIT**



**OPTIONAL SPECIALTY
ADAPTER KIT
SKU# 5210367**




RJ-4500 EXTENDED

RJ-4500 COLLAPSED

NOTE: UNLESS OTHERWISE SPECIFIED.

- LIFTING HEIGHT INCLUDES 70mm LIFT PAD EXTENSION

		1645 LEMONWOOD DR. SANTA PAULA, CA 93060
TITLE: RJ-45		
SIZE	DWG. NO.	REV
A	5260056	B
SCALE: 1:15		SHEET 2 OF 2