



BendPak Four-Post Lift

Models HD-9ST / HD-9 (Rev M) / HD-9STX / HD-9XW (Rev M) / HD-9XL (Rev M)

The space saving design of our 9,000-lb. capacity four-post lifts are ideal for vehicle storage in residential garages or commercial buildings. They also double as great service lifts for smaller shops who still want to do big business. No special foundation is required and the installation is a cinch. Optional casters enable you to roll the lift outside or wherever best suits your needs. About the size of a typical parking space, these lifts truly maximize valuable floor area. Use them for storing cars and trucks, ATVs, snowmobiles, jet skis, golf carts, boats or just about anything else that needs to be off the ground. You can finally make use of that wasted vertical space above your car. If you've got at least a standard 8-foot ceiling, these lifts will work for you. Don't make the mistake of calling these rugged lifts "hobby lifts." Our expert engineers have packed this model with features that were previously only found on commercial-grade designs. Plus, it's a BendPak, so you know it's backed by over 40 years of experience and a reputation that carries just as much weight as our lifts. We're proud to have these HD-Series lifts in our lineup, and you'll be proud to have one in your shop or garage.



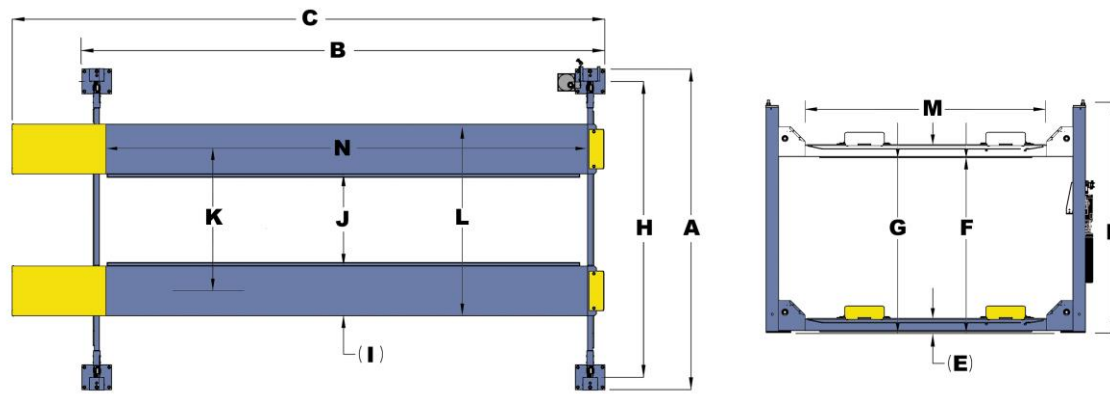
Optional RJ-45 Bridge Jack

Optional Caster Kit

Features:

- 9,000 pound lifting capacity
- Two lifting heights to choose from
- Two runway lengths to choose from
- Two widths to choose from
- Electric/hydraulic power system
- Internal "Anti-Sway" slider blocks in each column
- Features heavy-duty 3/8" aircraft cable
- Multi-position safety locks in each column
- Ramps feature non-skid surface
- Optional 4500-lb. capacity jack available (Model RJ-45)
- Two different ramp lengths to choose
- Runways include rail-kit for optional accessories
- Single hydraulic cylinder underneath runway
- Oversized self-lubricating cable rollers
- Rugged 1-1/4" roller axles
- Adjustable lock ladders
- Push-button pneumatic safety release
- ETL Approved





MODEL	HD-9ST (Rev. C)	HD-9STX (Rev. C)	HD-9 (Rev. M)	HD-9XL (Rev. M)	HD-9XW (Rev. M)
Configuration	Narrow/STD Height STD Length	Narrow/EXT Height EXT Length	Wide/STD Height STD Length	Wide/STD Height EXT Length	Wide/EXT Height EXT Length
Lifting Capacity*	9,000 lbs. / 4082 kg.	9,000 lbs. / 4082 kg.	9,000 lbs. / 4082 kg.	9,000 lbs. / 4082 kg.	9,000 lbs. / 4082 kg.
*Max Capacity / Front Half of Lift	4,500 lbs. / 2041 kg.	4,500 lbs. / 2041 kg.	4,500 lbs. / 2041 kg.	4,500 lbs. / 2041 kg.	4,500 lbs. / 2041 kg.
*Max Capacity / Rear Half of Lift	4,500 lbs. / 2041 kg.	4,500 lbs. / 2041 kg.	4,500 lbs. / 2041 kg.	4,500 lbs. / 2041 kg.	4,500 lbs. / 2041 kg.
A - Overall Width	100.25" / 2,546 mm	100.25" / 2,546 mm	110-1/4" / 2,800 mm.	110-1/4" / 2,800 mm.	110-1/4" / 2,800 mm.
B - Outside Length	174" / 4420 mm.	198" / 5029 mm.	174" / 4420 mm.	198" / 5029 mm.	198" / 5029 mm.
C - Overall Length	200" / 5080 mm.	224" / 5690 mm.	200" / 5080 mm.	224" / 5690 mm.	224" / 5690 mm.
D - Height of Columns	88" / 2235 mm.	100" / 2540 mm.	88" / 2235 mm.	88" / 2235 mm.	100" / 2540 mm.
E - Min. Runway Height	4-1/2" / 114 mm.	4-1/2" / 114 mm.	4-1/2" / 114 mm.	4-1/2" / 114 mm.	4-1/2" / 114 mm.
F - Max. Rise	70" / 1778 mm.	82" / 2083 mm.	70" / 1778 mm.	70" / 1778 mm.	82" / 2083 mm.
G - Max. Lifting Height	74-1/2" / 1892 mm.	86-1/2" / 2197 mm.	74-1/2" / 1892 mm.	74-1/2" / 1892 mm.	86-1/2" / 2197 mm.
H - Width Between Columns	89-3/4" / 2280 mm.	89-3/4" / 2280 mm.	100-1/4" / 2,555 mm.	100-1/4" / 2,555 mm.	100-1/4" / 2,555 mm.
I - Runway Width	19" / 483 mm.	19" / 483 mm.	19" / 483 mm.	19" / 483 mm.	19" / 483 mm.
J - Width Between Runways (*) NARROW SETTING	37-1/2" / 952 mm.	37-1/2" / 952 mm.	37-1/2" / 952 mm.	37-1/2" / 952 mm.	37-1/2" / 952 mm.
J - Width Between Runways (*) WIDE SETTING	N/A	N/A	44-3/8" / 1127 mm.	44-3/8" / 1127 mm.	44-3/8" / 1127 mm.
K - Runway Centerline (*) NARROW SETTING	56-1/2" / 1435 mm.	56-1/2" / 1435 mm.	56-1/2" / 1435 mm.	56-1/2" / 1435 mm.	56-1/2" / 1435 mm.
K - Runway Centerline (*) WIDE SETTING	N/A	N/A	63-3/8" / 1610 mm.	63-3/8" / 1610 mm.	63-3/8" / 1610 mm.
L - Outside Edge of Runways (*) NARROW SETTING	75-1/2" / 1918 mm.	75-1/2" / 1918 mm.	75-1/2" / 1918 mm.	75-1/2" / 1918 mm.	75-1/2" / 1918 mm.
L - Outside Edge of Runways (*) WIDE SETTING	N/A	N/A	82-3/8" / 2092 mm.	82-3/8" / 2092 mm.	82-3/8" / 2092 mm.
M - Drive-Thru-Clearance	76-1/2" / 1943 mm.	76-1/2" / 1943 mm.	86-1/2" / 2197 mm.	86-1/2" / 2197 mm.	86-1/2" / 2197 mm.
N - Length of Runways	164" / 4166 mm.	188" / 4775 mm.	164" / 4166 mm.	188" / 4775 mm.	188" / 4775 mm.
Min. Wheelbase @ Rated Capacity	115" / 2921 mm.	135" / 3429 mm.	115" / 2921 mm.	135" / 3429 mm.	135" / 3429 mm.
Min. Wheelbase @ 75% Capacity	100" / 2540 mm.	115" / 2921 mm.	100" / 2540 mm.	115" / 2921 mm.	115" / 2921 mm.
Min. Wheelbase @ 50% Capacity	85" / 2159 mm.	95" / 2413 mm.	85" / 2159 mm.	95" / 2413 mm.	95" / 2413 mm.
Min. Wheelbase @ 25% Capacity	70" / 1778 mm.	80" / 2032 mm.	70" / 1778 mm.	80" / 2032 mm.	80" / 2032 mm.
Locking Positions	12	15	12	12	15
Lock Spacing	Every 4" / 102 mm.	Every 4" / 102 mm.	Every 4" / 102 mm.	Every 4" / 102 mm.	Every 4" / 102 mm.
Lifting Time	45 Seconds	50 Seconds	45 Seconds	45 Seconds	50 Seconds
Standard Motor (**)	220 VAC / 60 Hz. 1Ph.	220 VAC / 60 Hz. 1Ph.	220 VAC / 60 Hz. 1Ph.	220 VAC / 60 Hz. 1Ph.	220 VAC / 60 Hz. 1Ph.

* This dimension may be limited with the addition of rolling jacks. See rolling jack specifications on separate page.

** Special Voltages Available Upon Request

The design, material and specifications are subject to change without notice.