

**WARNING**

PLEASE READ THE ENTIRE CONTENTS OF THIS MANUAL PRIOR TO INSTALLATION AND OPERATION. BY PROCEEDING YOU AGREE THAT YOU FULLY UNDERSTAND AND COMPREHEND THE FULL CONTENTS OF THIS MANUAL. FORWARD THIS MANUAL TO ALL OPERATORS. FAILURE TO OPERATE THIS EQUIPMENT AS DIRECTED MAY CAUSE INJURY OR DEATH.

**CAUTION**  
The safe operating temperature range for this product is 41° F. - 104 °F.

REV A 08/04/2015  
p/n 5900181

# INSTALLATION AND OPERATION MANUAL

## ADJUSTABLE LIMIT MICROSWITCH

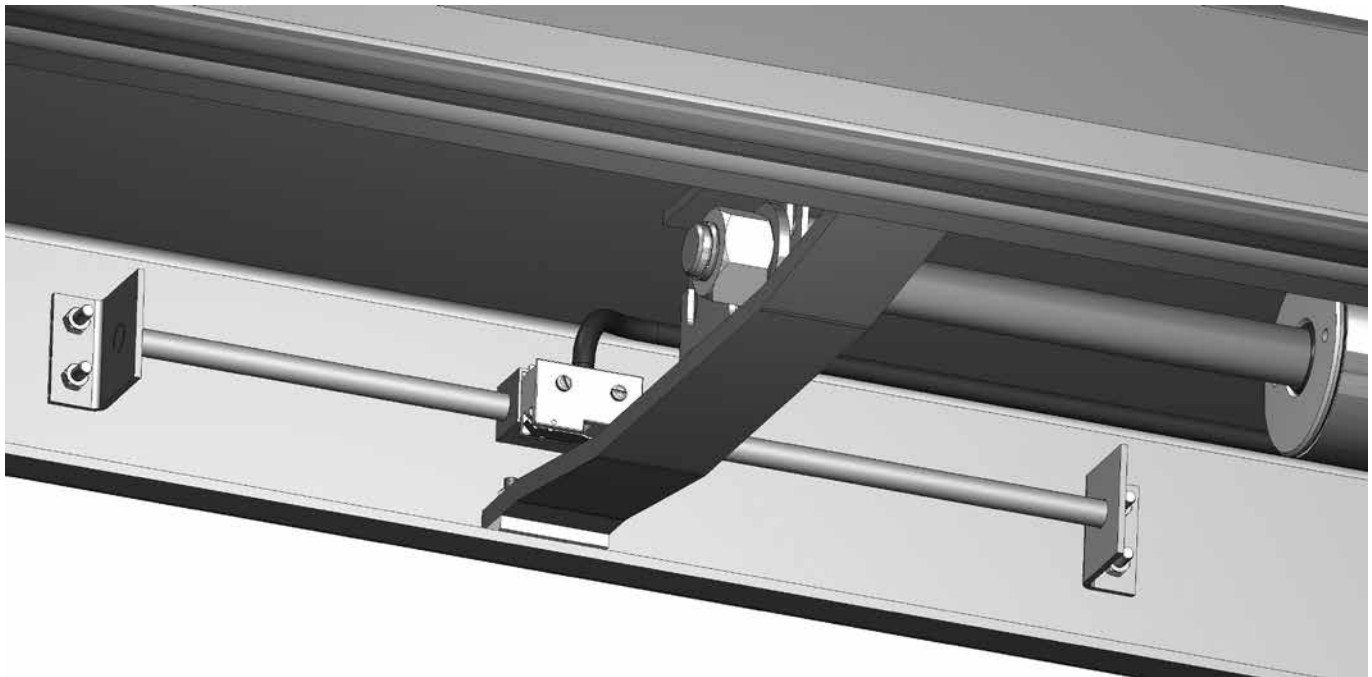
OPTION FOR BENDPAK HD-9 4-POST LIFTS

Keep this operation manual near the machine at all times. Make sure that ALL USERS read this manual.

**WARNING**



BE SURE TO READ ALL WARNING LABELS AND INSTRUCTION MANUAL PRIOR TO OPERATION OF THIS MACHINE



### SHIPPING DAMAGE CLAIMS

When this equipment is shipped, title passes to the purchaser upon receipt from the carrier. Consequently, claims for the material damaged in shipment must be made by the purchaser against the transportation company at the time shipment is received.

### BE SAFE

Your new equipment was designed and built with safety in mind. However, your overall safety can be increased by proper training and thoughtful operation on the part of the operator. DO NOT operate or repair this equipment without reading this manual and the important safety instructions shown inside.



1645 Lemonwood Dr.  
Santa Paula, CA. 93060, USA  
Toll Free 1-800-253-2363  
Tel: 1-805-933-9970  
Fax: 1-805-933-9160  
www.bendpak.com

## IMPORTANT NOTICE

Do not attempt to install this kit if you have never been trained on basic automotive installation procedures. Never attempt to lift components without proper lifting tools such as forklift or cranes. Stay clear of any moving parts that can fall and cause injury. These instructions must be followed to ensure proper installation and operation of your lift. Failure to comply with these instructions can result in serious bodily harm and void product warranty. Manufacturer will assume no liability for loss or damage of any kind, expressed or implied resulting from improper installation or use of this product.

### PLEASE READ ENTIRE MANUAL PRIOR TO INSTALLATION.

### DEFINITIONS OF HAZARD LEVELS

Identify the hazard levels used in this manual with the following definitions and signal words:



Watch for this symbol: It Means: Immediate hazards which will result in severe personal injury or death.



Watch for this symbol: It Means: Hazards or unsafe practices which could result in severe personal injury or death.



Watch for this symbol: It Means: Hazards or unsafe practices which may result in minor personal injury, product or property damage.

## OWNER'S RESPONSIBILITY

To maintain the lift and user safety, the responsibility of the owner is to read and follow these instructions:

- ◆ Follow all installation and operation instructions.
- ◆ Make sure installation conforms to all applicable Local, State, and Federal Codes, Rules, and Regulations; such as State and Federal OSHA Regulations and Electrical Codes.
- ◆ Carefully check the lift for correct initial function.
- ◆ Read and follow the safety instructions. Keep them readily available for machine operators.
- ◆ Make certain all operators are properly trained, know how to safely and correctly operate the unit, and are properly supervised.
- ◆ Allow unit operation only with all parts in place and operating safely.
- ◆ Carefully inspect the unit on a regular basis and perform all maintenance as required.
- ◆ Service and maintain the unit only with authorized or approved replacement parts.
- ◆ Keep all instructions permanently with the unit and all decals on the unit clean and visible.

### BEFORE YOU BEGIN

#### Receiving:

The shipment should be thoroughly inspected as soon as it is received. The signed bill of lading is acknowledgement by the carrier of receipt in good condition of shipment covered by your invoice. If any of the goods called for on this bill of lading are shorted or damaged, do not accept them until the carrier makes a notation on the freight bill of the shorted or damaged goods. Do this for your own protection.

**NOTIFY THE CARRIER AT ONCE** if any hidden loss or damage is discovered after receipt and request the carrier to make an inspection. If the carrier will not do so, prepare a signed statement to the effect that you have notified the carrier (on a specific date) and that the carrier has failed to comply with your request.

**IT IS DIFFICULT TO COLLECT FOR LOSS OR DAMAGE AFTER YOU HAVE GIVEN THE CARRIER A CLEAR RECEIPT.** File your claim with the carrier promptly. Support your claim with copies of the bill of lading, freight bill, invoice, and photographs, if available. Our willingness to assist in helping you process your claim does not make BendPak responsible for collection of claims or replacement of lost or damaged materials.

# CAUTION

REFER TO THE MANUAL THAT CAME WITH THE LIFT FOR PROPER SAFETY AND OPERATING INSTRUCTIONS. READ, FOLLOW AND UNDERSTAND THE OPERATING MANUAL BEFORE OPERATING ANY AUTOMOTIVE LIFT

1. With no vehicle loaded on the lift, raise lift all the way off the ground and rest it on the top safety lock position.

# DANGER

DO NOT PROCEED OR GO NEAR THE LIFT WORK AREA UNLESS VISUAL CONFIRMATION IS MADE OF ALL SAFETY LOCKS. ALL LOCKS MUST BE ENGAGED BEFORE PROCEEDING. FAILURE TO COMPLY WITH THESE INSTRUCTIONS MAY RESULT IN SEVERE PERSONAL INJURY OR DEATH.

2. Ensure that the lift is resting on the safeties.
3. Disconnect the Hydraulic Power Unit on the lift from the electrical power source.

# DANGER

ALL WIRING MUST BE PERFORMED BY A LICENSED ELECTRICIAN.



DO NOT PERFORM ANY MAINTENANCE OR INSTALLATION OF ANY COMPONENTS WITHOUT FIRST ENSURING THAT ELECTRICAL POWER HAS BEEN DISCONNECTED AT THE SOURCE OR PANEL AND CANNOT BE RE-ENERGIZED UNTIL ALL MAINTENANCE AND/OR INSTALLATION PROCEDURES ARE COMPLETED.

4. The Adjustable Limit Microswitch Kit will be installed on the inside of the Powerside Runway near the ram end of the Hydraulic Cylinder.
5. Select location for the Limit Switch Kit on the side of the Runway adjacent to the Hydraulic Power Unit.

5. Once desired location is selected, use the Limit Switch Bracket mounting holes as guides and drill four holes in the side of the Runway. (See Fig 1.1)

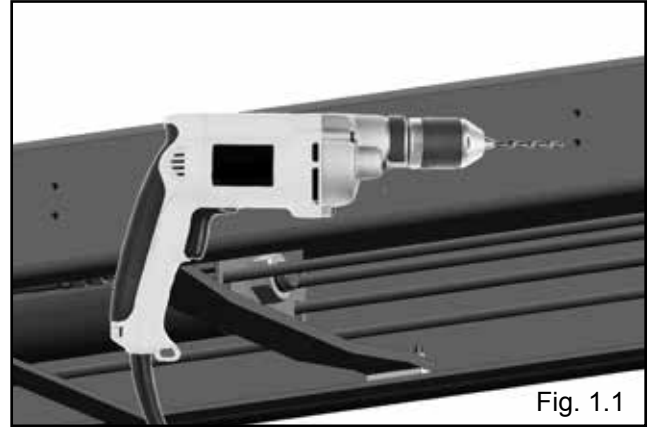


Fig. 1.1

6. Wire the microswitch prior to mounting Kit inside the Runway. Refer to the wiring diagram on page 4.

7. Mount the Limit Switch Kit on the inside of the Runway using the four M6 Bolts, Nuts and Washers. Make sure the microswitch lever is facing as shown. (See Fig 1.2)

8. Route the electrical cable through the hose retainers on the underside of the Powerside Runway and through the flex hose to the power unit. Refer to the wiring diagram on the following page for power unit connection.

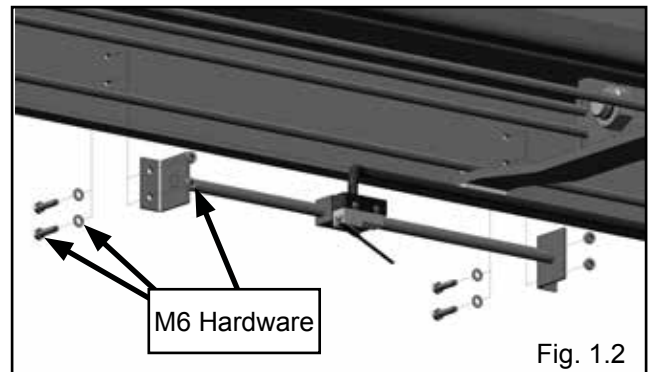
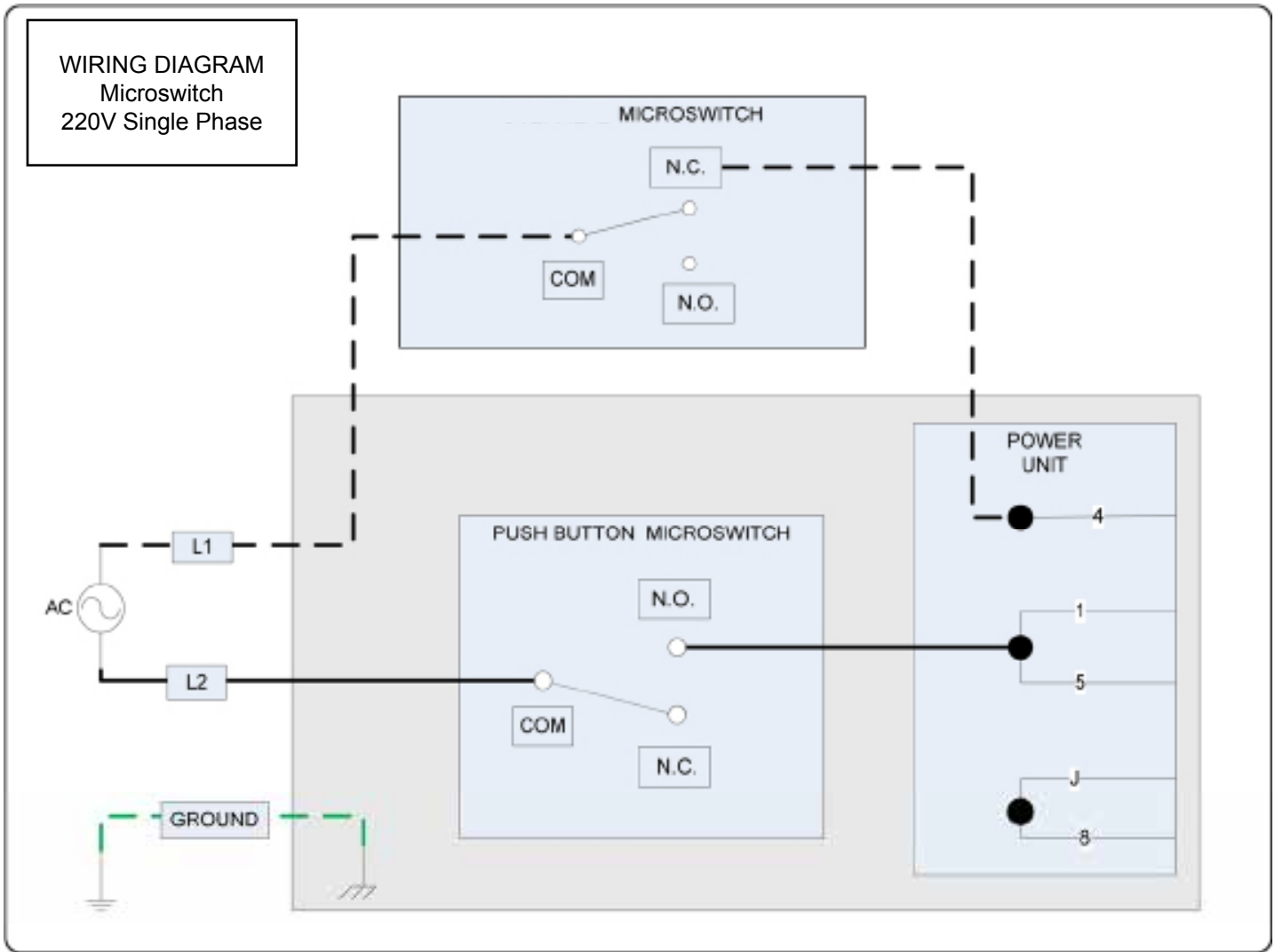


Fig. 1.2

# READ FIRST



DO NOT operate this machine until you read and understand all the dangers, warnings and cautions in this manual. Failure to operate this equipment as directed may cause injury or death.



9. Reconnect the Hydraulic Power Unit on the lift to the electrical power source.

10. Lower the lift to the nearest safety lock position below the maximum desired lift height. (Read and Follow all lowering precautions and instructions that came with the lift.)



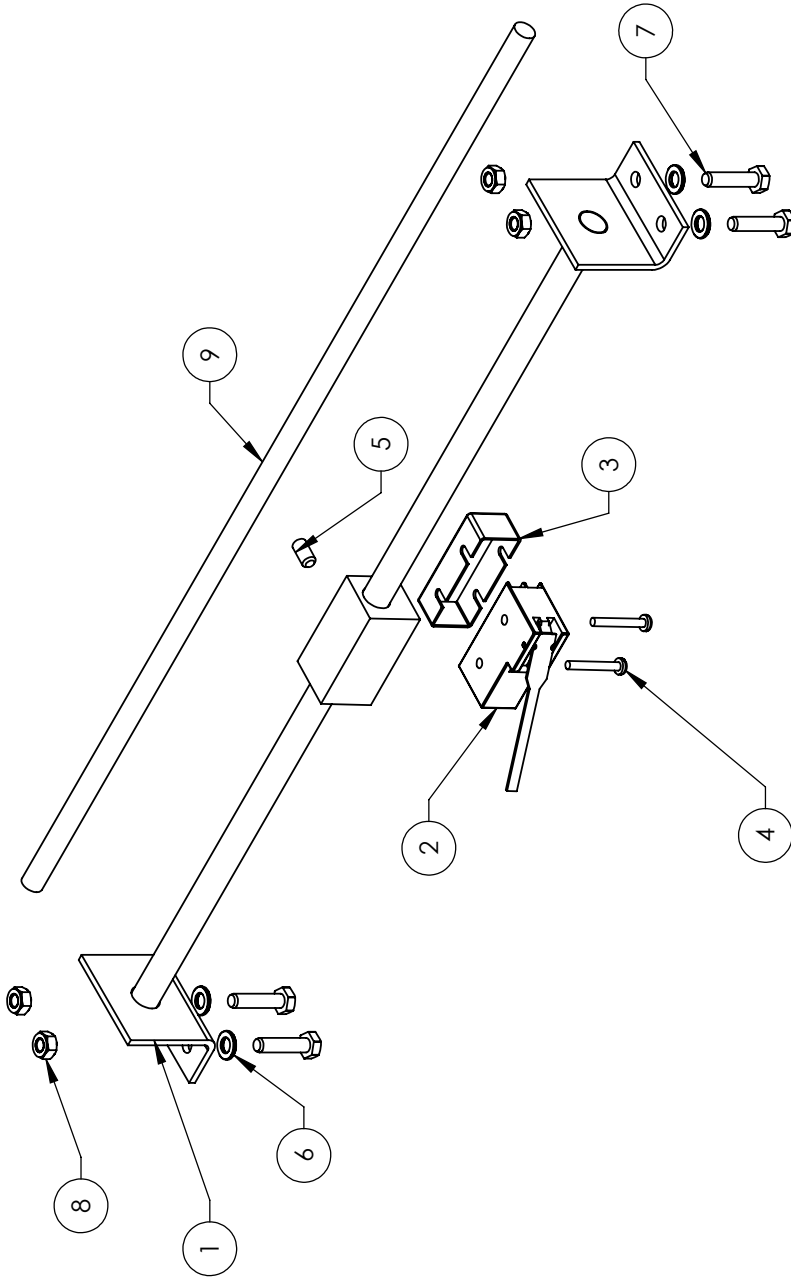
**DO NOT PROCEED OR GO NEAR THE LIFT WORK AREA UNLESS VISUAL CONFIRMATION IS MADE OF ALL SAFETY LOCKS. ALL LOCKS MUST BE ENGAGED BEFORE PROCEEDING. FAILURE TO COMPLY WITH THESE INSTRUCTIONS MAY RESULT IN SEVERE PERSONAL INJURY OR DEATH.**

11. Ensure that the lift is resting on the safeties.

12. Adjust the microswitch on the slider bar by loosening the set screw on the top of the slider block. Slide it at least 1" (25mm) past the Cylinder Guide Assembly Arm and tighten the screw.

NOTE: The microswitch itself must be behind (towards the front of the lift) the Cylinder Guide Assembly or the Kit will not function properly.

13. Test the kit by raising the lift off of the safeties and continue raising until the Cylinder Guide Assembly Arm contacts the microswitch lever and stops the system. If the system does not stop at the maximum desired height, lower the lift onto the safeties and check the position of the microswitch. It may be necessary to bend the micro-switch lever to allow more contact.



ITEM NO	PART NUMBER	DESCRIPTION	QTY	REV
1	5600667	HD SERIES ADJUSTABLE LIMIT SWITCH SLIDER	1	A
2	5525110	WELDMENT MICRO SWITCH DL-LOGV-LB	1	A
3	5525117	MICRO SWITCH COVER-5PA2	1	A
4	5530111	BHS 6-32 X 1.00	2	-
5	5530099	SSS M6 X 1.0 X 12	4	-
6	5545005	M6 FLAT WASHER	4	-
7	5530048	HHB M6 X 1.0 X 25	4	-
8	5535357	NUT M6 X 1.0 NL	4	-
9	5502132	16-2 SOOW UL 62 CABLE 600VGC	3.660mm*	A

DO NOT SCALE DRAWING  
 DIMENSIONS ARE IN MM  
 DRAWN TM 04/25/2012  
 CHECKED  
 THIRD ANGLE PROJECTION

DATE 04/25/2012  
 NAME TM  
 TITLE: HD SERIES ADJUSTABLE LIMIT SWITCH SLIDER ASSEMBLY  
 SIZE DWG. NO. A 5210235  
 REV A  
 SCALE: 1:3  
 SHEET 1 OF 1



PROPRIETARY AND CONFIDENTIAL  
 THE INFORMATION CONTAINED IN THIS DRAWING IS THE PROPERTY OF BENDPAK, INC. ANY REPRODUCTION IN PART OR AS A WHOLE WITHOUT THE WRITTEN PERMISSION OF BENDPAK, INC. IS PROHIBITED.

**NOTE: UNLESS OTHERWISE SPECIFIED.**  
 1. SEE SHIPPING INSTRUCTIONS FOR FINAL PACKAGING  
 2. ASSEMBLE ITEMS AS SHOWN  
 3. CABLE SHOWN IN REPRESENTATIONAL FORM  
 4. (\*) LENGTH FOR REFERENCE ONLY

NEXT ASSEMBLY ACCESSORY



*The Benchmark of Quality*

**For Parts Or Service  
Contact:**

**BendPak Inc. / Ranger Products  
1645 Lemonwood Dr.  
Santa Paula, CA. 93060**

**Tel: 1-805-933-9970  
Toll Free: 1-800-253-2363  
Fax: 1-805-933-9160**

**[www.bendpak.com](http://www.bendpak.com)**

p/n 5900181

